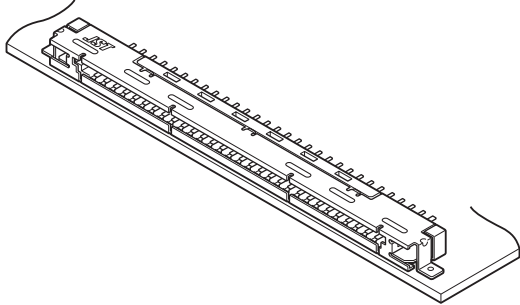


LD-Y CONNECTOR RECEPTACLE

1.0mm pitch



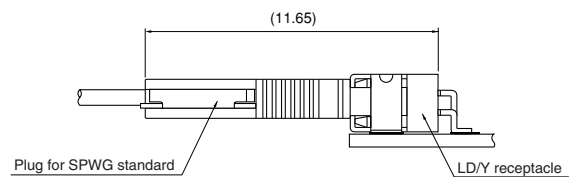
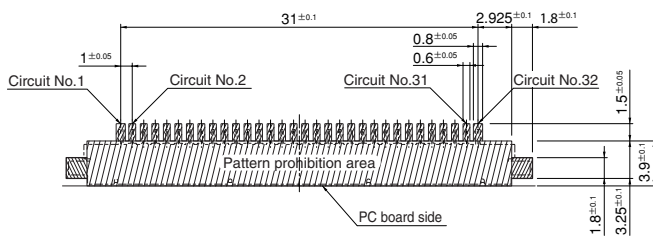
This wire-to-board connector is designed for Internal I/O port in LCD Monitor/TV, and is with secure locking device that prevents the connector from coming off by wiring operation and/or vibration.

- Impedance matching corresponding to high speed differential transmission
- Metal lock structure
- With metal shell

Specifications

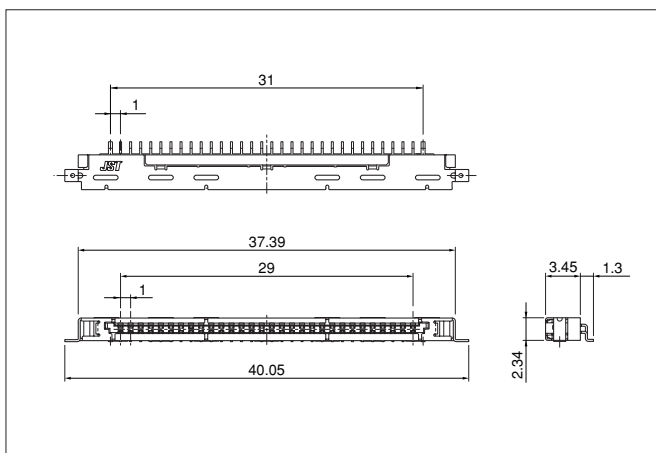
- Current rating: 0.3A AC, DC
 - Voltage rating: 200V AC, DC
 - Temperature range: -25°C to +85°C
(including temperature rise in applying electrical current)
 - Contact resistance: Initial value/40m Ω max.
After environmental testing/80m Ω max.
 - Insulation resistance: Initial value/100M Ω min.
After environmental testing/50M Ω min.
 - Withstanding voltage: Initial value/ 500V AC/minute
After environmental testing/
250VAC/minute
- * Compliant with RoHS.
* Refer to "General Instruction and Notice when using Terminals and Connectors" at the end of this catalog.
* Contact JST for details.

PC board layout (viewed from component side) and Assembly layout



Note: 1. Tolerances are non-cumulative: ±0.05mm for all centers.
2. The dimensions above should serve as a guideline. Contact JST for details.

Receptacle



Circuits	Model No.	Q'ty / reel
30	SM30B-LDYGLS-01-TB	4,000

Material and Finish

Contact: Copper alloy, nickel-undercoated, gold-plated
Housing: Heat resisting resin, UL94V-0
Shell: Stainless steel, nickel-undercoated, palladium-plated
Ground bar: Copper alloy, nickel-undercoated, tin/copper alloy-plated

RoHS compliance This product displays (LF) on a label.