

# Product sheet

## Miniature connector

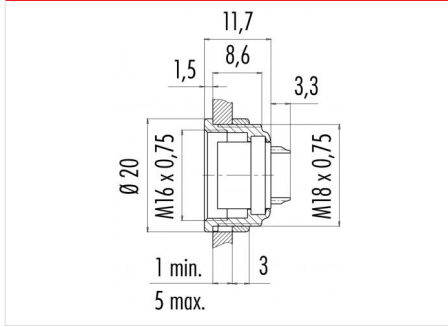


|         |   |                |                                      |
|---------|---|----------------|--------------------------------------|
| Product | <b>Contacts: 19, Female panel mount connector, solder, 12 - 19 contacts</b> | Area           | <b>M16 IP40 Series 581/ 680/ 682</b> |
| Pole    | <b>19</b>   | Article number | <b>09 0336 00 19</b>                 |

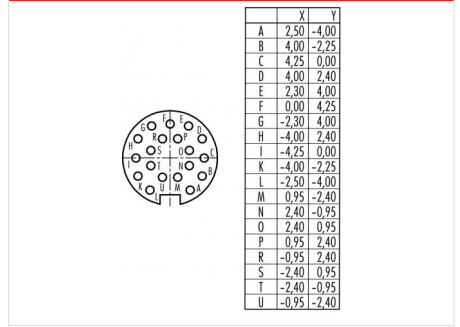
### Illustration



### Scale drawing



### Contact Arrangement



You can find the assembly instruction on the next page.

## Technical data

### Common values

|                          |                              |
|--------------------------|------------------------------|
| Connector Design         | Female panel mount connector |
| Connector locking system | screw                        |
| Termination              | Solder                       |
| Wire gauge (mm)          | 0.25 mm <sup>2</sup>         |
| Wire gauge (AWG)         | 24                           |
| Upper temperature        | 85 °C                        |
| Lower temperature        | -40 °C                       |

### Electrical values

|                       |                     |
|-----------------------|---------------------|
| Rated voltage         | 60 V                |
| Rated impulse voltage | 500 V               |
| Pollution degree      | 1                   |
| Overvoltage category  | I                   |
| Material group        | III                 |
| Rated current (40°C)  | 3 A                 |
| Volume resistivity    | ≤ 3 mΩ              |
| EMV compliance        | shielded            |
| Degree of protection  | IP40                |
| Mechanical operation  | > 500 mating cycles |

### Material

|                          |                                |
|--------------------------|--------------------------------|
| Material of contact      | CuSn (Bronze)                  |
| Contact plating          | Au (Gold)                      |
| Material of contact body | PBT (UL 94 V-0)                |
| Material of housing      | Nickel-plated zinc die casting |

Contacts: 19, Female panel mount connector, solder, 12 - 19 contacts, gold plated contacts

Product

Contacts: 19, Female panel mount connector, solder, 12 - 19 contacts

Area  
Article number

M16 IP40 Series 581/ 680/ 682  
09 0336 00 19

Pole

Installation instructions / Mounting cutout

