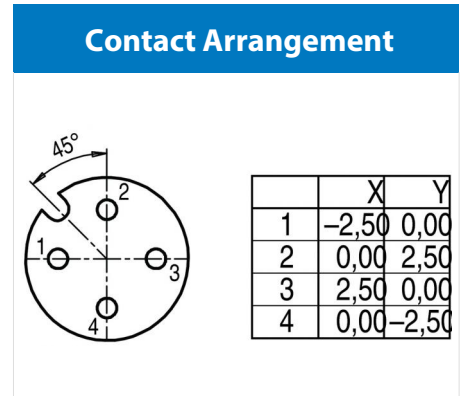
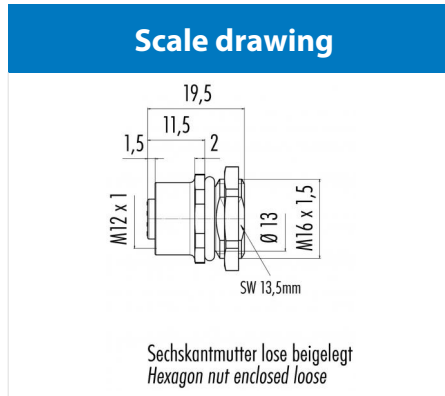


Product	Contacts: 4, Female panel mount connector, plastic housing, screwed from back, soldered, PG 9, M16 x 1.5	Area	M12-A Series 713/763
Pole	4	Article number	86 4332 1002 00004



Technical data

Common values

Connector Design	Female panel mount connector
Connector locking system	screw
Termination	Solder
Wire gauge (mm)	0.25 mm ²
Wire gauge (AWG)	24
Upper temperature	85 °C
Lower temperature	-40 °C

Electrical values

Rated voltage	250 V
Rated impulse voltage	2500 V
Pollution degree	3
Overvoltage category	II
Material group	II
Rated current (40°C)	4 A
Volume resistivity	≤ 3 mΩ
EMV compliance	not shielded
Degree of protection	IP67
Mechanical operation	> 100 mating cycles

Material

Material of contact	CuSn (Bronze)
Contact plating	Au (Gold)
Material of contact body	PA
Material of housing	PA

Contacts: 4, Female panel mount connector, plastic housing, screwed from back, soldered, M16 x 1.5