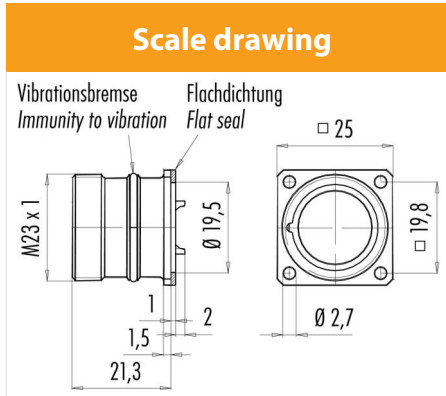


Product sheet

Output connector



Product	Contacts: 6, Female panel mount connector, front mounting, right-turning (the pin and socket insert counter-rotate in right and left turning models)	Area	M23 Power Series 623
Pole	6	Article number	99 4638 00 06



Contact Arrangement

	X	Y
1	-4,13	2,38
2	-4,13	-2,38
3	0,00	-4,75
4	4,13	-2,38
5	4,13	2,38
6	0,00	0,00

Technical data

Common values

Connector Design	Female panel mount connector
Connector locking system	screw
Termination	Solder
Wire gauge (mm)	2.50 mm ²
Wire gauge (AWG)	14
Cable outlet	-
Upper temperature	125 °C
Lower temperature	-20 °C

Electrical values

Rated voltage	300 V
Rated impulse voltage	2500 V
Pollution degree	3
Overvoltage category	II
Material group	III
Rated current (40°C)	20 A
Volume resistivity	≤ 3 mΩ
EMV compliance	not shielded
Degree of protection	IP67
Mechanical operation	> 50 mating cycles

Material

Material of contact	CuSn (Bronze)
Contact plating	Au (Gold)
Material of contact body	PBT/PA66
Material of housing	Nickel-plated zinc die casting

Contacts: 6, Female panel mount connector, front mounting, right-turning