

Product sheet

Subminiature connector



Product
Pole

**Contacts: 8, Male angled connector, 360°
EMC safe, cable outlet 3.5-5 mm
8**

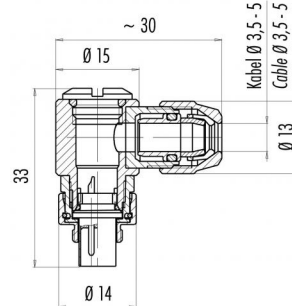
Area
Article number

**M9 IP67 Series 712
99 0425 75 08**

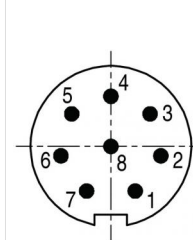
Illustration



Scale drawing



Contact Arrangement



	X	Y
1	0,90	-1,65
2	1,85	-0,35
3	1,45	1,20
4	0,00	1,85
5	-1,45	1,20
6	-1,85	-0,35
7	-0,90	-1,65
8	0,00	0,00

You can find the item description and assembly instruction on the next page.

Technical data

Common values

Connector Design	Male angled connector
Connector locking system	screw
Termination	Solder
Wire gauge (mm)	0.14 mm ²
Wire gauge (AWG)	26
Cable outlet	3.5 - 5 mm
Upper temperature	85 °C
Lower temperature	-40 °C

Cable data

material housing	-
Insulation single lead	-
Single lead structure	-
Conductor resistance	-

Electrical values

Rated voltage	125 V
Rated impulse voltage	1500 V
Pollution degree	1
Overvoltage category	II
Material group	III
Rated current (40°C)	1 A
Volume resistivity	≤ 3 mΩ
EMV compliance	shieldable
Degree of protection	IP67
Mechanical operation	> 500 mating cycles

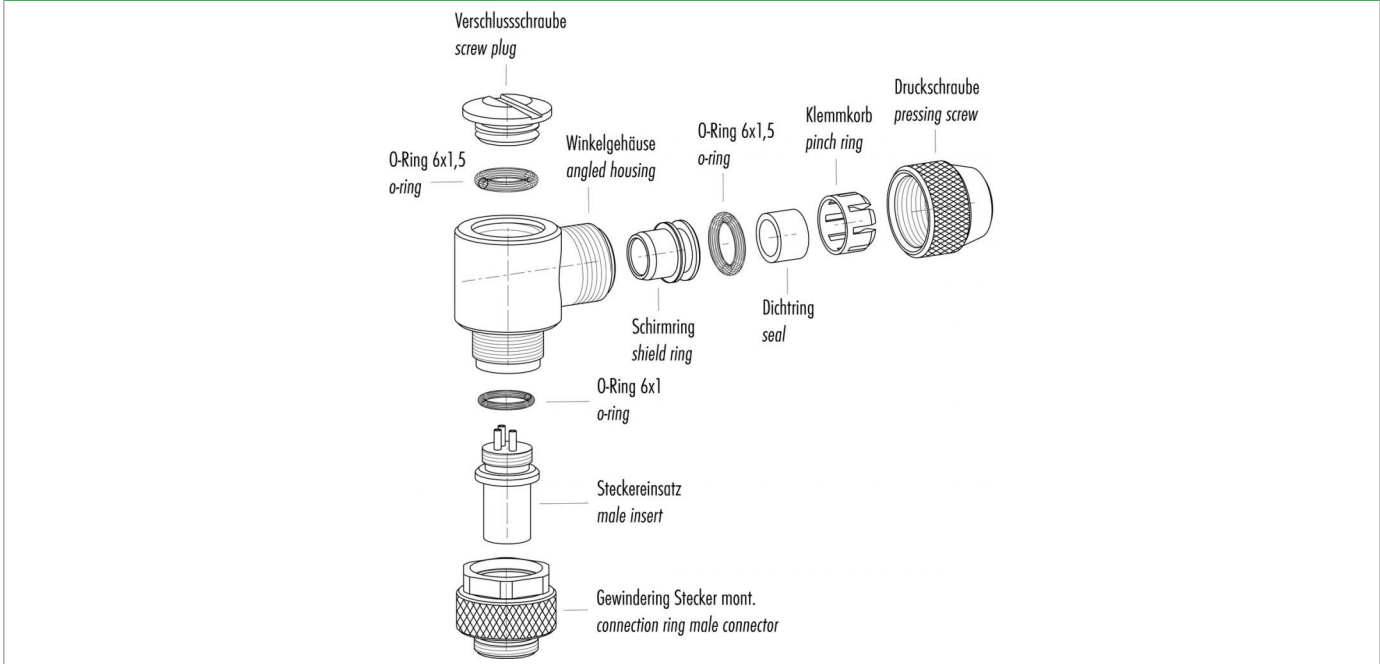
Material

Material of contact	CuZn (Brass)
Contact plating	Au (Gold)
Material of contact body	PBT (UL 94 V-0)
Material of housing	CuZn (Brass nickel-plated)

Contacts: 8, Male angled connector, 360° EMC safe, shieldable, cable outlet 3.5-5 mm

Product	Contacts: 8, Male angled connector, 360° EMC safe, cable outlet 3.5-5 mm 8	Area	M9 IP67 Series 712
Pole		Article number	99 0425 75 08

Item description



Installation instructions / Mounting cutout

