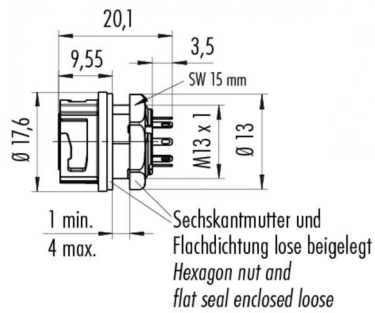


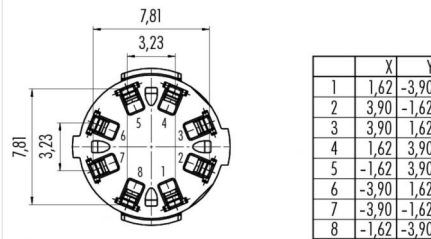
Product **Contacts: 8, Female panel mount connector, solder**

Area **Bayonet NCC Series**
 Article number **09 0774 400 08**

Scale drawing



Contact Arrangement



You can find the item description and assembly instruction on the next page.

Technical data

General features

Connector Design	female panel mount connector
Connector locking system	Bayonet
Termination	solder
Wire gauge (mm)	0,25 mm ²
Wire gauge (AWG)	max. 24
Upper temperature	85 °C
Lower temperature	-25 °C

Electrical parameters

Rated voltage	175 V
Rated impulse voltage	1750 V
Pollution degree	2
Overvoltage category	II
Material group	II
Rated current (40°C)	2 A
Volume resistivity	≤ 15 mΩ
Degree of protection	IP67

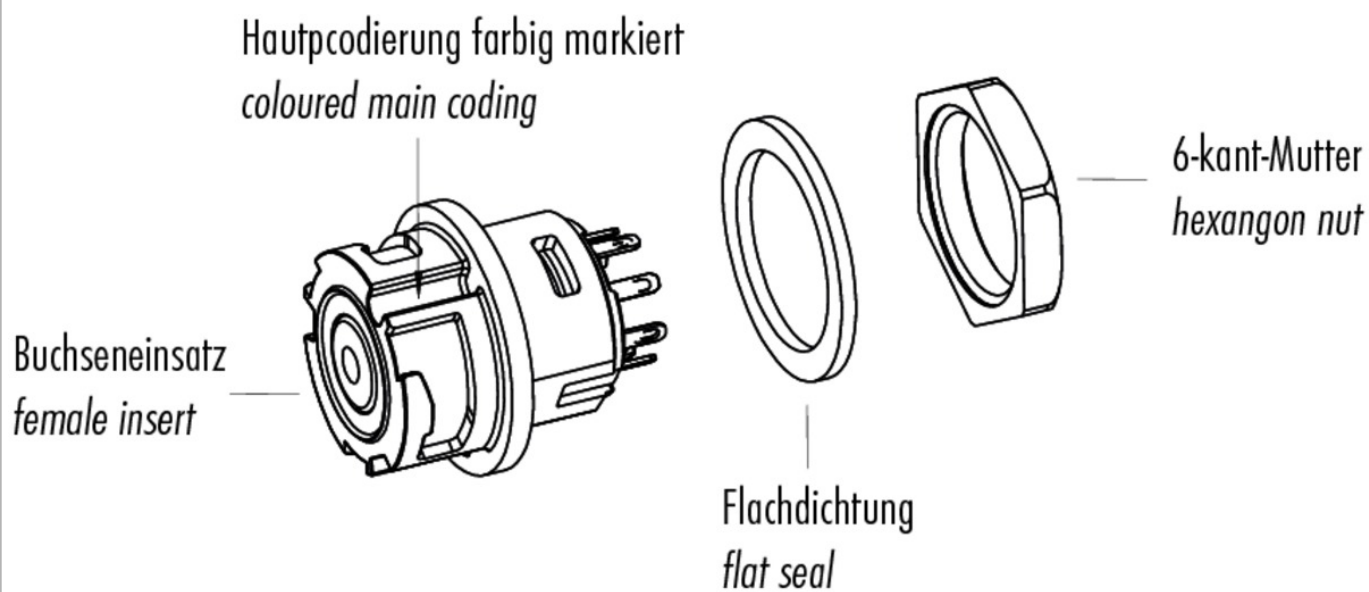
Material

Material of contact	CuSn (Bronze)
Contact plating	Au (gold)
Material of contact body	PA (UL 94 V-0)

Product **Contacts: 8, Female panel mount connector, solder**

Area **Bayonet NCC Series**
Article number **09 0774 400 08**

Item description



Installation instructions / Mounting cutout

