

Product sheet

Miniature connector

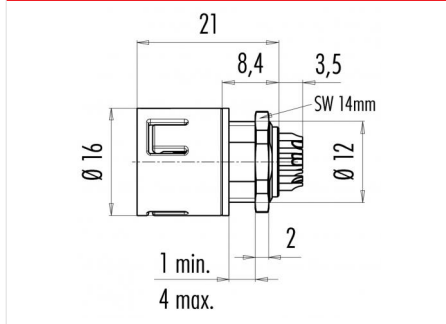


| | | | |
|---------|---|----------------|--------------------------------|
| Product | Contacts: 3, male panel mount connector, green | Area | Snap-in IP67 Series 720 |
| Pole | 3 | Article number | 99 9107 70 03 |

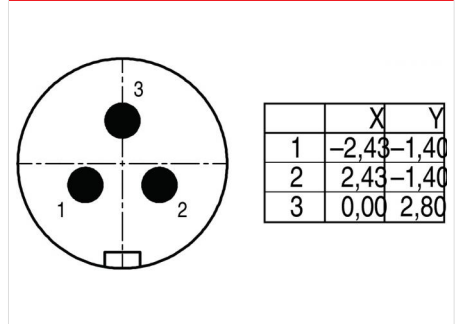
Illustration



Scale drawing



Contact Arrangement



You can find the item description and assembly instruction on the next page.

Technical data

Common values

| | |
|--------------------------|----------------------------|
| Connector Design | Male panel mount connector |
| Connector locking system | Snap |
| Termination | Solder |
| Wire gauge (mm) | 0.75 mm ² |
| Wire gauge (AWG) | 20 |
| Cable outlet | - |
| Upper temperature | 85 °C |
| Lower temperature | -25 °C |

Electrical values

| | |
|-----------------------|---------------------|
| Rated voltage | 250 V |
| Rated impulse voltage | 2500 V |
| Pollution degree | 2 |
| Overvoltage category | II |
| Material group | II |
| Rated current (40°C) | 7 A |
| Volume resistivity | ≤ 3 mΩ |
| EMV compliance | not shielded |
| Degree of protection | IP67 |
| Mechanical operation | > 500 mating cycles |

Material

| | |
|--------------------------|----------------|
| Material of contact | CuZn (Brass) |
| Contact plating | Au (Gold) |
| Material of contact body | PA (UL 94 V-0) |
| Material of housing | PA (UL 94 V-0) |

Contacts: 3, male panel mount connector, green

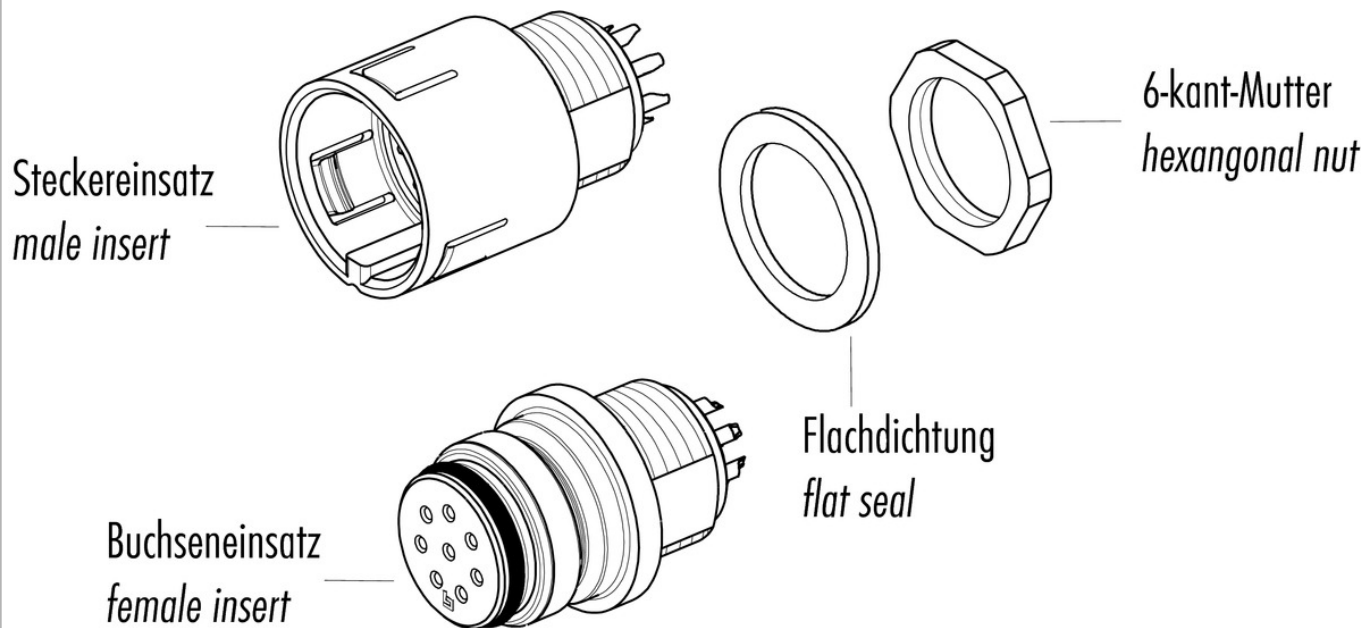
Product
Pole

Contacts: 3, male panel mount connector,
green
3

Area
Article number

Snap-in IP67 Series 720
99 9107 70 03

Item description



Installation instructions / Mounting cutout

