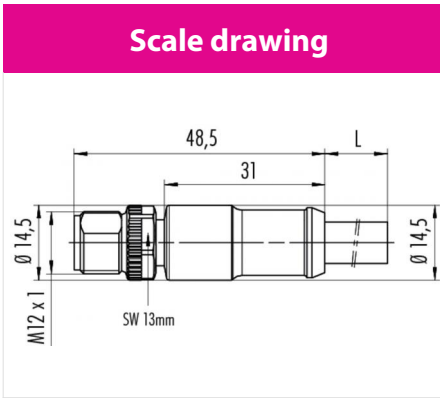


Product **Polzahl: 2+PE, Kablestecker, Power, S-Kodierung, Kabeldurchlass 8-10 mm**
 Area **M12-S Series 814**
 Article number **77 0689 0000 50704-0500**

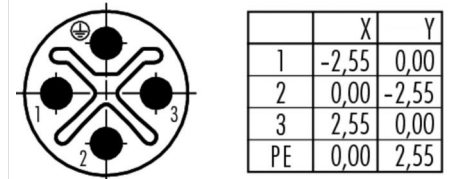
Illustration



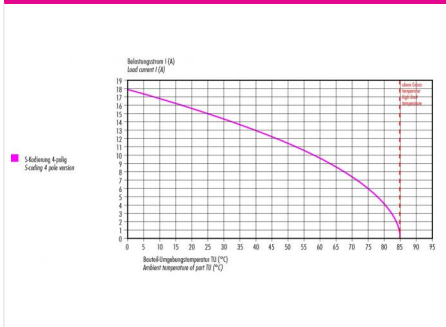
Scale drawing



Contact Arrangement



Attenuation characteristics



You can find the assembly instruction on the next page.

Technical data

General features

Connector Design	Cable Connector
Connector locking system	bolted
Termination	removable screw
Wire gauge (mm)	max. 1,5 mm ²
Wire gauge (AWG)	max. 16
Cable outlet	8 - 10 mm
Upper temperature	85 °C
Lower temperature	-40 °C

Cable data

material housing	PUR
Approval 1	UL

Electrical parameters

Rated voltage	630 V
Rated impulse voltage	6000 V
Pollution degree	3
Overvoltage category	III
Material group	III
Rated current (40°C)	12 A
Volume resistivity	≤ 3 mΩ
Degree of protection	IP67
Mechanical operation	> 50 Mating cycles

Material

Material of contact	CuZn (Messing)
Contact plating	Au (gold)
Material of contact body	PA

Product	Polzahl: 2+PE, Kablestecker, Power, S-Kodierung, Kabeldurchlass 8-10 mm
Area	M12-S Series 814
Article number	77 0689 0000 50704-0500

Installation instructions / Mounting cutout

