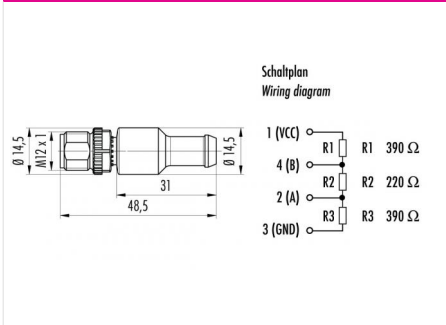


Product Pole	Contacts: 4, Terminating plug, PROFIBUS 4	Area Article number	M12-B Series 766 77 9835 0000 00004
--------------	---	---------------------	---

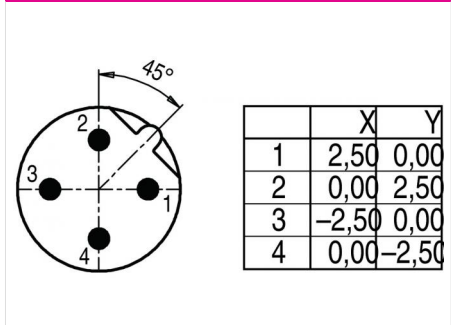
Illustration



Scale drawing



Contact Arrangement



Technical data

Common values

Connector Design	Terminating plug
Connector locking system	screw
Termination	crimp, injection-moulded cable
Wire gauge (mm)	0.1 m ² - 0.75 mm ²
Wire gauge (AWG)	26-18
Cable outlet	-
Upper temperature	85 °C
Lower temperature	-25 °C

Electrical values

Rated voltage	250 V
Rated impulse voltage	2500 V
Pollution degree	3
Overvoltage category	II
Material group	II
Rated current (40°C)	4 A
Volume resistivity	≤ 3 mΩ
Degree of protection	IP68
Mechanical operation	> 100 mating cycles

Material

Material of contact	CuZn (Brass)
Contact plating	Au (Gold)
Material of contact body	PUR
Material of housing	PUR

Contacts: 4, Terminating plug, PROFIBUS