

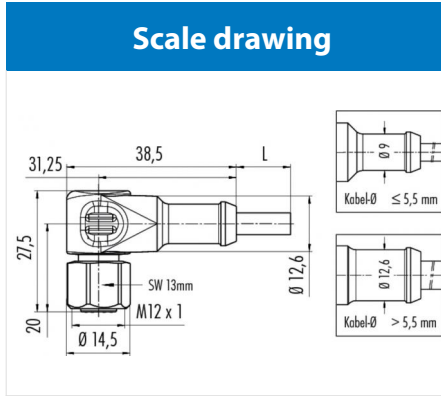
Product **female angled cable connector, overmoulded, stainless steel, PVC cable**

Area **M12-A Series 763 FOOD & BEVERAGE**  
Article number **77 3734 0000 20912-0200**

### Illustration



### Scale drawing



### Contact Arrangement

	X	Y	
1	-2,80	0,78	1 braun/brown
2	-0,78	2,80	2 blau/blue
3	1,09	2,69	3 weiß/white
4	2,51	1,46	4 grün/green
5	2,88	-0,37	5 rosa/pink
6	2,05	-2,05	6 gelb/yellow
7	0,37	-2,88	7 schwarz/black
8	-1,46	-2,51	8 grau/grey
9	-2,69	-1,09	9 rot/red
10	-0,78	0,78	10 violett/purple
11	1,06	0,29	11 grau/rosa/grey/pink
12	-0,29	-1,06	12 rot/blau/red/blue

Geschirmte Versionen: Schirm auf Gehäuse  
Shielded versions: shield on housing

## Technical data

### General features

Connector Design	Cable Connector
Connector locking system	screw
Termination	crimp, overmoulded on cable
Wire gauge (mm)	0,25
Wire gauge (AWG)	24
Upper temperature	105 °C
Lower temperature	-40 °C

### Cable data

material housing	PVC
Insulation single lead	PVC
Single lead structure	32 x 0,1
Cable sheath Ø	6,6
Conductor resistance	75 Ω/Km (20°C)
Temperature range cable movable °C from	-5
Temperature range cable movable °C to	105
Temperature range cable fixed °C from	-40
Temperature range cable fixed °C to	105
Bending radius cable fixed	min. 5 x D
Bending radius cable movable	min. 10 x D
Approval 1	UL listed
Approval 2	Ecolab

### Electrical parameters

Rated voltage	30 V
Rated impulse voltage	800 V
Pollution degree	3
Overvoltage category	II
Material group	II
Rated current (40°C)	1,5 A
Volume resistivity	≤ 3 mΩ
EMV compliance	not shielded
Degree of protection	IP69K
Mechanical operation	> 100 Mating cycles

### Material

Material of contact	CuSn (Bronze)
Contact plating	Au (gold)
Material of contact body	PP
Material of housing	PP