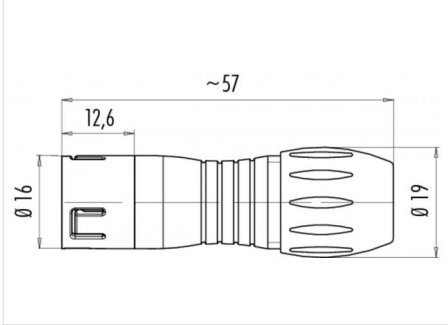


Product	Contacts: 8, Male cable connector, cable outlet 4 - 6 mm, blue
Area	Snap-in IP67, miniature Series
Article number	99 9125 460 08

Illustration



Scale drawing



Contact Arrangement

	X	Y
1	-1,35	-2,79
2	1,35	-2,79
3	3,02	-0,69
4	2,43	1,93
5	0,00	3,10
6	-2,43	1,93
7	-3,02	-0,69
8	0,00	0,00

You can find the item description on the next page.

Technical data

General features

Connector Design	Cable Connector
Connector locking system	snap
Termination	solder
Wire gauge (mm)	0,25 mm ²
Wire gauge (AWG)	24
Cable outlet	4 - 6 mm
Upper temperature	85 °C
Lower temperature	-40 °C

Electrical parameters

Rated voltage	125 V
Rated impulse voltage	1500 V
Pollution degree	2
Overvoltage category	II
Material group	II
Rated current (40°C)	2 A
Volume resistivity	≤ 3 mΩ
EMV compliance	not shielded
Degree of protection	IP67

Material

Material of contact	CuZn (Messing)
Contact plating	Au (gold)
Material of contact body	PA (UL 94 V-0)

Product **Contacts: 8, Male cable connector, cable outlet 4 - 6 mm, blue**

Area **Snap-in IP67, miniature Series**
Article number **99 9125 460 08**

Item description

