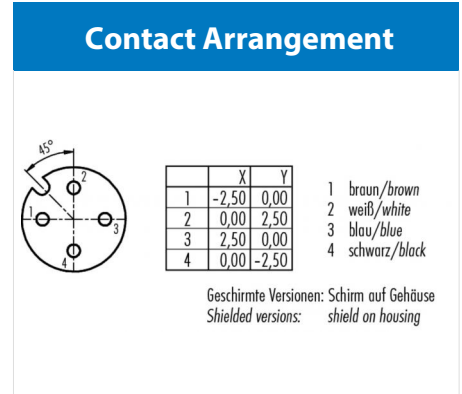
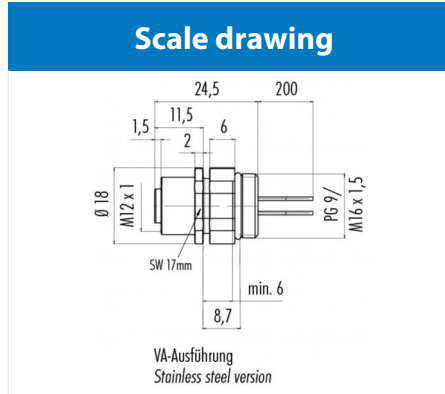


Product **Contacts: 4, Female panel mount connector, adjustable, with single wires, 0.25 mm², M16 x 1.5 VA**
 Area **M12-A Series 713/763**
 Article number **76 2832 0111 00004-0200**



You can find the assembly instruction on the next page.

Technical data

General features

Connector Design female panel mount connector
 Connector locking system bolted
 Termination Strands
 Wire gauge (mm) 0,25 mm²
 Wire gauge (AWG) 24
 Upper temperature 85 °C
 Lower temperature -40 °C

Electrical parameters

Rated voltage 250 V
 Rated impulse voltage 2500 V
 Pollution degree 3
 Overvoltage category II
 Material group II
 Rated current (40°C) 4 A
 Volume resistivity ≤ 3 mΩ
 EMV compliance not shielded
 Degree of protection IP68
 Mechanical operation > 100 Mating cycles

Material

Material of contact CuSn (Bronze)
 Contact plating Au (gold)
 Material of contact body PA

Product **Contacts: 4, Female panel mount connector, adjustable, with single wires, 0.25 mm², M16 x 1.5 VA**
Area **M12-A Series 713/763**
Article number **76 2832 0111 00004-0200**

Installation instructions / Mounting cutout



Anzugsdrehmoment / *Tightening moment*
6,25 Nm