
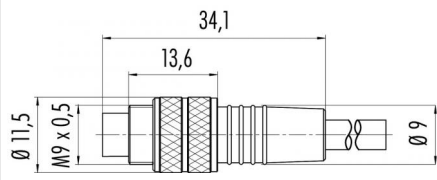
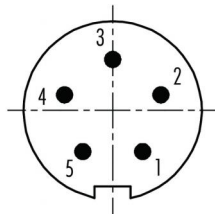


# Product sheet

## Subminiature connector



Product	<b>Contacts: 5, cable plug connector overmoulded, unshielded</b>	Area	<b>M9 IP67 Series 702</b>
Pole	<b>5</b>	Article number	<b>79 1455 215 05</b>

Illustration	Scale drawing	Contact Arrangement										
		 <table style="margin-left: 20px;"> <tr><td>1</td><td>weiß/white</td></tr> <tr><td>2</td><td>braun/brown</td></tr> <tr><td>3</td><td>schwarz/black</td></tr> <tr><td>4</td><td>blau/blue</td></tr> <tr><td>5</td><td>grau/grey</td></tr> </table>	1	weiß/white	2	braun/brown	3	schwarz/black	4	blau/blue	5	grau/grey
1	weiß/white											
2	braun/brown											
3	schwarz/black											
4	blau/blue											
5	grau/grey											

## Technical data

### Common values

Connector Design	Cable plug connector
Connector locking system	screw
Termination	overmoulded on cable
Wire gauge (mm)	0.25 mm <sup>2</sup>
Wire gauge (AWG)	24
Cable outlet	-
Upper temperature	70 °C
Lower temperature	-25 °C

### Cable data

material housing	PUR
Insulation single lead	PVC
Single lead structure	32 x 0.1 mm
Cable sheath Ø	5
Conductor resistance	72Ω/Km
Temperature range cable movable c from	-5
Temperature range cable movable c to	70
Temperature range cable fixed c from	-25
Temperature range cable fixed c to	70
Bending radius cable fixed	Min. 25 mm
Bending radius cable movable	Min. 50 mm

### Electrical values

Rated voltage	125 V
Rated impulse voltage	1500 V
Pollution degree	1
Overvoltage category	II
Material group	III
Rated current (40°C)	3 A
Volume resistivity	≤ 3 mΩ
EMV compliance	nicht geschirmt
Degree of protection	IP67
Mechanical operation	> 500 mating cycles

### Material

Material of contact	CuZn (Brass)
Contact plating	Au (Gold)
Material of contact body	PBT (UL 94 V-0)
Material of housing	PUR

Contacts: 5, cable plug connector overmoulded, unshielded, cable length 5 m