

Product
Pole

Polzahl: 3, Kabeldose umspritzt, 120°C
3

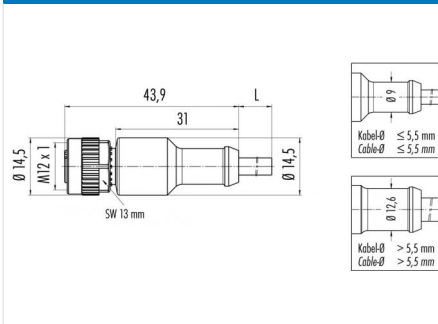
Area
Article number

M12-A Series 763
77 3430 0000 70003-0200

Illustration



Scale drawing



Technical data

Common values

Connector locking system	screw
Termination	crimp, injection-moulded cable
Wire gauge (mm)	0.34 mm ²
Wire gauge (AWG)	22
Upper temperature	120 °C
Lower temperature	-25 °C

Cable data

material housing	PUR
Insulation single lead	PVC
Single lead structure	42 x 0.1
Cable sheath Ø	4.5
Conductor resistance	55Ω/Km
Bending radius cable fixed	22 mm
Bending radius cable movable	45 mm

Electrical values

Rated voltage	250 V
Rated impulse voltage	2500 V
Pollution degree	3
Overvoltage category	II
Material group	II
Rated current (40°C)	4 A
Volume resistivity	≤ 3 mΩ
EMV compliance	not shielded
Degree of protection	IP68
Mechanical operation	> 100 mating cycles

Material

Material of contact	CuSn (Bronze)
Contact plating	Au (Gold)
Material of contact body	PUR
Material of housing	PUR

Contacts: 3, Cable length 2 m, cable: 3 x 0.34 mm², 120°, female cable connector, overmoulded