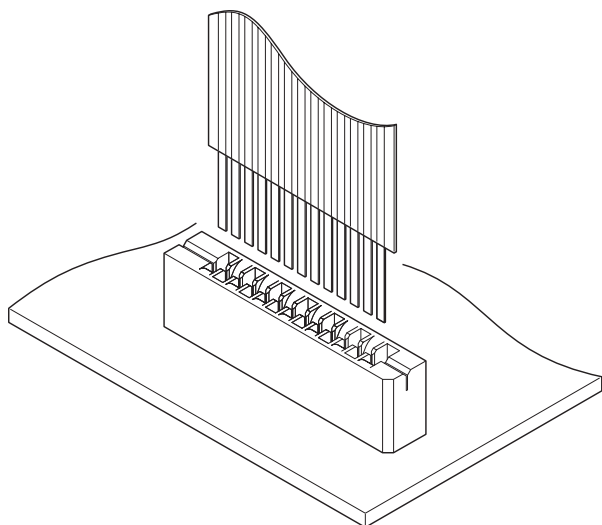


# FUN CONNECTOR

Connectors for FFC



**This board-in type connector provides direct soldering connection between the conductor part of the 1.0mm pitch FFC and the PC board.**



## Features

- **Smaller pitch type**

Adoption of the FU connector (1.25mm pitch) structure leads to the realization of a smaller pitch board-in type connector (1.0mm pitch).

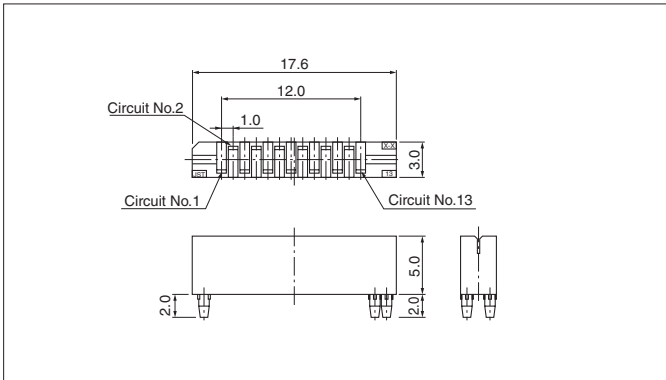
- **Lower assembly costs**

Wiring the FFC directory to the PC board will reduce assembly costs.

## Specifications

- Temperature range: -25°C to +85°C  
(including temperature rise in applying electrical current)
- Applicable FFC: Conductor pitch/1.0mm  
Conductor width/0.6mm  
Mating part thickness/0.10±0.05mm
- Applicable PC board thickness: 1.6mm
- \* Compliant with RoHS.
- \* Refer to "General Instruction and Notice when using Terminals and Connectors" at the end of this catalog.
- \* Contact JST for details.

## Connector

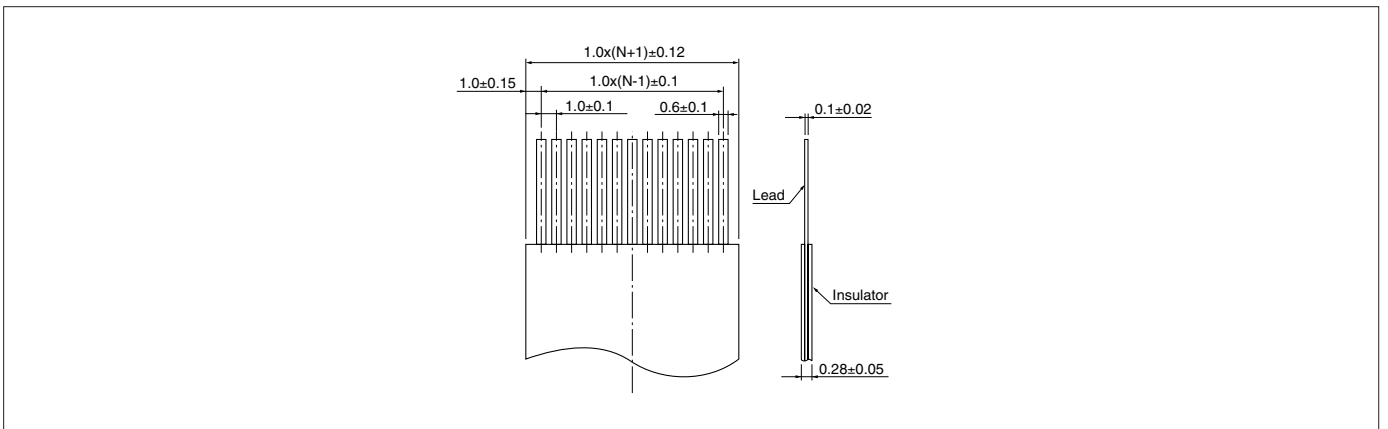


Circuits	Model No.	Qty / box
13	<b>13FUN-B-SV</b>	1,000

Material and Finish	
PA 66, UL94V-0, natural (white)	

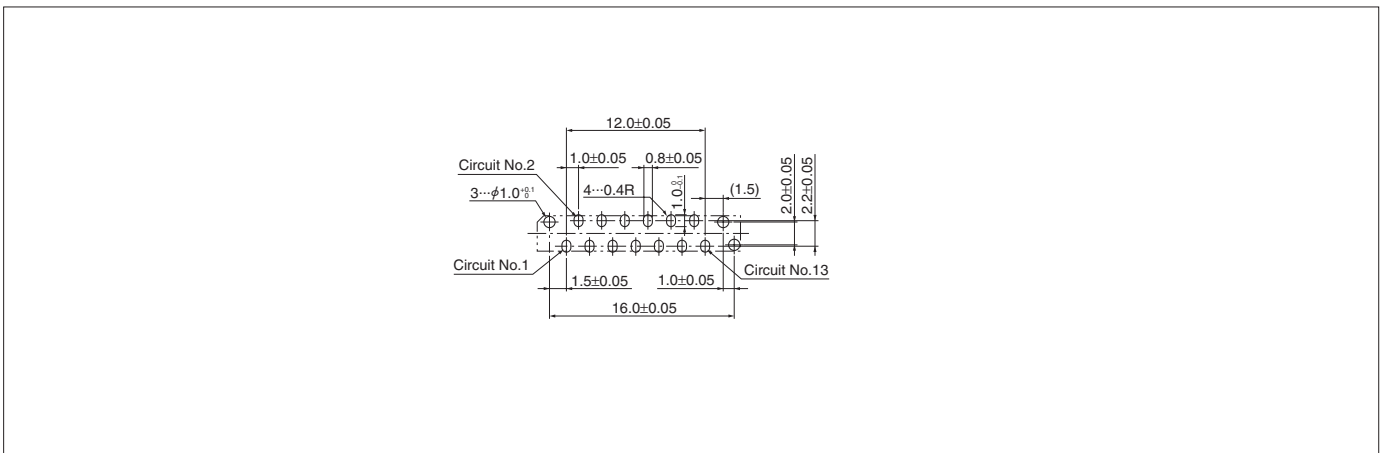
**RoHS compliance**

## Lead section dimensions of FFC



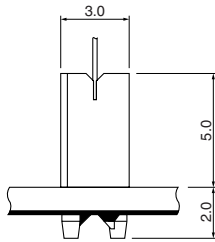
Note: N --- Number of circuits

## PC board layout



# FUN CONNECTOR

## Assembly layout



## Assembly procedure

