

Product sheet

Connectors for medical applications

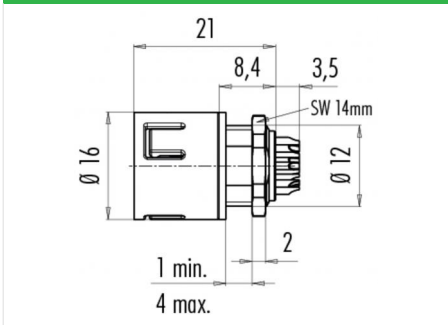


Product **Contacts: 3, Male panel mount connector, lightgrey, solder termination**
 Area **Snap-in IP67, miniature Series**
 Article number **99 9107 400 03**

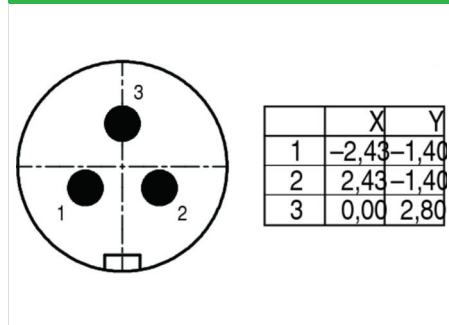
Illustration



Scale drawing



Contact Arrangement



You can find the item description and assembly instruction on the next page.

Technical data

General features

Connector Design male panel mount connector
 Connector locking system snap
 Termination solder
 Wire gauge (mm) 0,75 mm²
 Wire gauge (AWG) 20
 Upper temperature 85 °C
 Lower temperature -40 °C

Electrical parameters

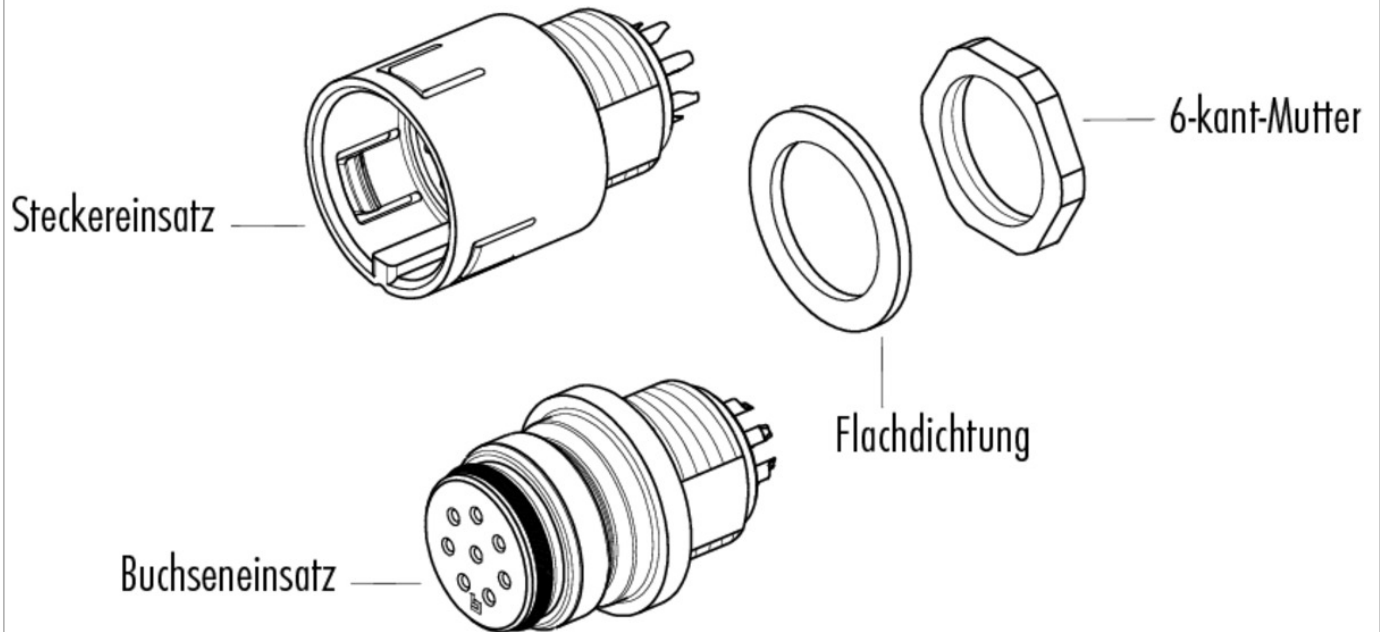
Rated voltage 250 V
 Rated impulse voltage 2500 V
 Pollution degree 2
 Overvoltage category II
 Material group II
 Rated current (40°C) 7 A
 Volume resistivity ≤ 3 mΩ
 EMV compliance not shielded
 Degree of protection IP67

Material

Material of contact CuSn (Bronze)
 Contact plating Au (gold)
 Material of contact body PA (UL 94 V-0)

Product **Contacts: 3, Male panel mount connector, lightgrey, solder termination**
Area **Snap-in IP67, miniature Series**
Article number **99 9107 400 03**

Item description



Installation instructions / Mounting cutout

