

Product sheet

Subminiature connector

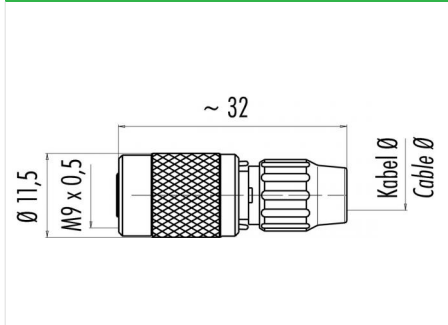


| | | | |
|--------------|---|---------------------|---|
| Product Pole | Contacts: 8, female cable connector 8 | Area Article number | M9 IP40 Series 711 99 0480 100 08 |
|--------------|---|---------------------|---|

Illustration



Scale drawing



Contact Arrangement

| | X | Y |
|---|-------|-------|
| 1 | -0,90 | -1,65 |
| 2 | -1,85 | -0,35 |
| 3 | -1,45 | 1,20 |
| 4 | 0,00 | 1,85 |
| 5 | 1,45 | 1,20 |
| 6 | 1,85 | -0,35 |
| 7 | 0,90 | -1,65 |
| 8 | 0,00 | 0,00 |

You can find the item description on the next page.

Technical data

Common values

| | |
|--------------------------|------------------------|
| Connector Design | Female cable connector |
| Connector locking system | screw |
| Termination | Solder |
| Wire gauge (mm) | 0.14 mm ² |
| Wire gauge (AWG) | 26 |
| Cable outlet | 3 - 4 mm |
| Upper temperature | 85 °C |
| Lower temperature | -40 °C |

Cable data

| | |
|------------------------|---|
| material housing | - |
| Insulation single lead | - |
| Single lead structure | - |
| Conductor resistance | - |

Electrical values

| | |
|-----------------------|---------------------|
| Rated voltage | 125 V |
| Rated impulse voltage | 1500 V |
| Pollution degree | 1 |
| Overvoltage category | II |
| Material group | III |
| Rated current (40°C) | 1 A |
| Volume resistivity | ≤ 3 mΩ |
| EMV compliance | not shieldable |
| Degree of protection | IP40 |
| Mechanical operation | > 500 mating cycles |

Material

| | |
|--------------------------|-----------------|
| Material of contact | CuSn (Bronze) |
| Contact plating | Au (Gold) |
| Material of contact body | PA (UL 94 V-0) |
| Material of housing | PA (UL 94 VH-B) |

Contacts: 8, female cable connector, cable outlet 3 -4 mm

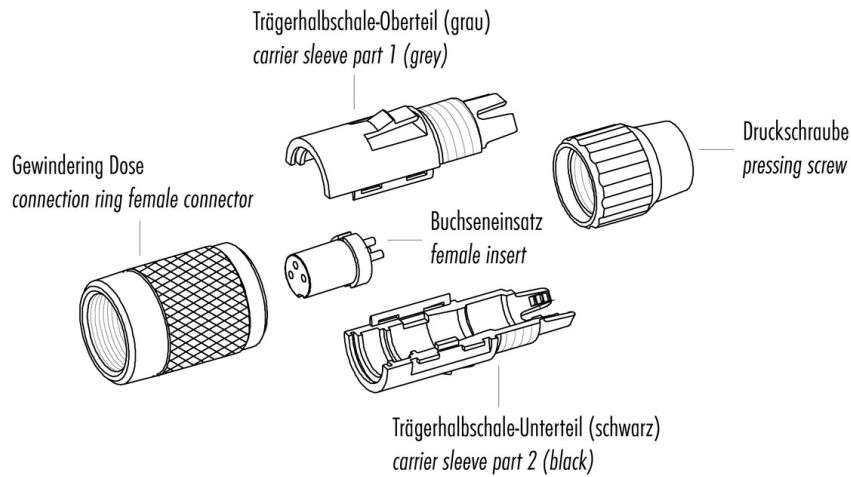
Product
Pole

Contacts: 8, female cable connector
8

Area
Article number

M9 IP40 Series 711
99 0480 100 08

Item description



Achtung: max. Drehmoment des Gewinderings im Flanschsteckverbinder: 50cNm (handfest)
Attention: max. torque of ring nut in socket connector: 50cNm (manual adjustment)