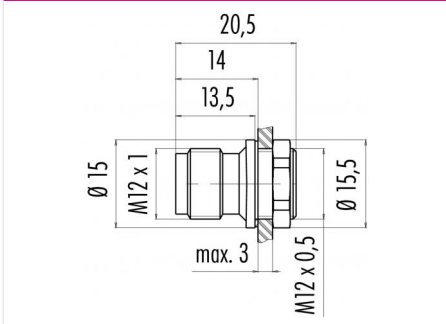


| | | | |
|---------|--|----------------|-----------------------------|
| Product | Contacts: 4, Male panel mount connector, fixing thread, M12 x 0.5 | Area | M12-B Series 715/766 |
| Pole | 4 | Article number | 09 0431 90 04 |

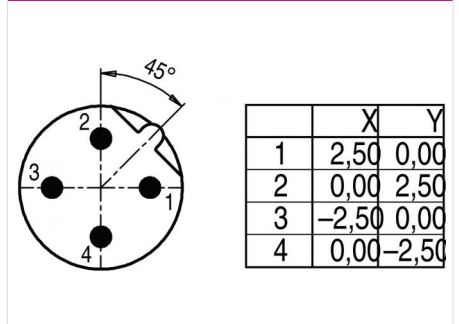
Illustration



Scale drawing



Contact Arrangement



You can find the assembly instruction on the next page.

Technical data

Common values

| | |
|--------------------------|----------------------------|
| Connector Design | Male panel mount connector |
| Connector locking system | screw |
| Termination | Solder |
| Wire gauge (mm) | 0.25 mm ² |
| Wire gauge (AWG) | 24 |
| Upper temperature | 85 °C |
| Lower temperature | -40 °C |

Electrical values

| | |
|-----------------------|---------------------|
| Rated voltage | 250 V |
| Rated impulse voltage | 2500 V |
| Pollution degree | 3 |
| Overvoltage category | II |
| Material group | III |
| Rated current (40°C) | 4 A |
| Volume resistivity | ≤ 3 mΩ |
| EMV compliance | not shielded |
| Degree of protection | IP67 |
| Mechanical operation | > 100 mating cycles |

Cable data

| | |
|------------------------------|---|
| material housing | - |
| Insulation single lead | - |
| Single lead structure | - |
| Conductor resistance | - |
| Bending radius cable fixed | - |
| Bending radius cable movable | - |

Material

| | |
|--------------------------|--------------|
| Material of contact | CuZn (Brass) |
| Contact plating | Au (Gold) |
| Material of contact body | PA |
| Material of housing | - |

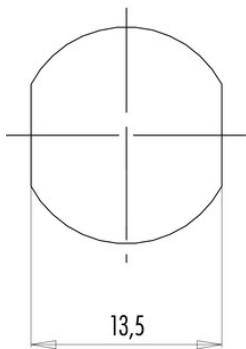
fixing thread: M12 x 0,5, Contacts: 4, Male panel mount connector, fixing thread

| | | | |
|---------|--|----------------|-----------------------------|
| Product | Contacts: 4, Male panel mount connector, fixing thread, M12 x 0.5 | Area | M12-B Series 715/766 |
| Pole | 4 | Article number | 09 0431 90 04 |

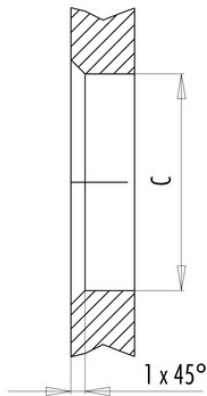
Installation instructions / Mounting cutout

Mit Fläche als Verdrehschutz
With flats as anti-rotation device

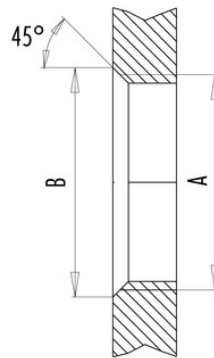
PG 9/M16 x 1,5



Mit Durchgangsbohrung
With bore hole



Mit Gewinde, einschraubbar
With thread to screw in



alternativ/alternativ

| | A | B | C |
|---------|---------|------|------|
| PG 9 | PG 9 | 16,2 | 15,3 |
| PG 13,5 | PG 13,5 | 21,5 | 20,5 |
| M16x1,5 | M16x1,5 | 17,0 | 16,1 |
| M20x1,5 | M20x1,5 | 21,0 | 20,1 |

Anzugsdrehmoment/Tightening moment

Metallgehäuse/Metal housing 6,25 Nm
Kunststoffgehäuse/Plastic housing 3,75 Nm