
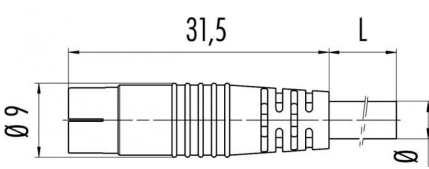
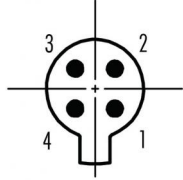


Product sheet

Subminiature connector



Product	Contacts: 4, Cable plug connector overmoulded on cable	Area	Snap-in IP40 Series 709
Pole	4	Article number	79 9003 12 04

Illustration	Scale drawing	Contact Arrangement								
		 <table border="0"> <tr> <td>1</td> <td>braun/brown</td> </tr> <tr> <td>2</td> <td>weiß/white</td> </tr> <tr> <td>3</td> <td>blau/blue</td> </tr> <tr> <td>4</td> <td>schwarz/black</td> </tr> </table>	1	braun/brown	2	weiß/white	3	blau/blue	4	schwarz/black
1	braun/brown									
2	weiß/white									
3	blau/blue									
4	schwarz/black									

Technical data

Common values

Connector Design	Cable plug connector
Connector locking system	Snap
Termination	overmoulded on cable
Wire gauge (mm)	0.25 mm ²
Wire gauge (AWG)	24
Cable outlet	-
Upper temperature	70 °C
Lower temperature	-20 °C

Cable data

material housing	PVC
Insulation single lead	PVC
Single lead structure	32 x 0.10 mm
Cable sheath Ø	4.5
Conductor resistance	80Ω/Km (20°C)
Bending radius cable fixed	22 mm
Bending radius cable movable	45 mm
Cable diameter	4.5

Electrical values

Rated voltage	60 V
Rated impulse voltage	800 V
Pollution degree	1
Overvoltage category	II
Material group	III
Rated current (40°C)	3 A
Volume resistivity	≤ 3 mΩ
EMV compliance	not shielded
Degree of protection	IP40
Mechanical operation	> 100 mating cycles

Material

Material of contact	CuZn (Brass)
Contact plating	Au (Gold)
Material of contact body	PA
Material of housing	PUR

Contacts: 4, Cable plug connector overmoulded, cable length 2 m