

Product

Contacts 4/3: Connecting cord, double plug M12x1 - 2 female angled connectors M8x1, 3 x 0.34 mm² PUR 4/3

Area

Connecting cords Series 765

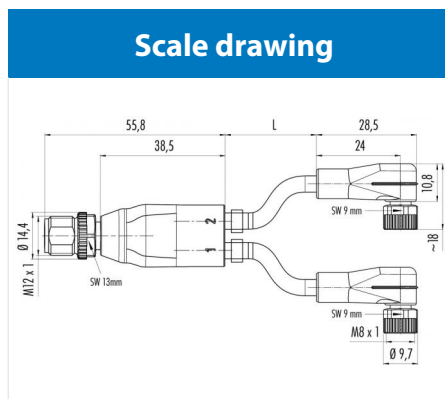
Article number

79 5205 10 04

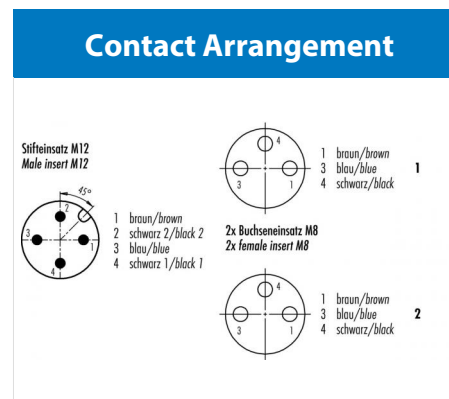
Pole



Illustration



Scale drawing



Technical data

Common values

Connector Design	Connecting cord
Connector locking system	screw
Termination	crimp, injection-moulded cable
Wire gauge (mm)	0.34 mm ²
Wire gauge (AWG)	22
Upper temperature	85 °C
Lower temperature	-25 °C

Electrical values

Rated voltage	60 V
Rated impulse voltage	1500 V
Pollution degree	3
Overvoltage category	II
Material group	II
Rated current (40°C)	4 A
Volume resistivity	≤ 3 mΩ
EMV compliance	not shielded
Degree of protection	IP67
Mechanical operation	> 100 mating cycles

Material

Material of contact	Pin/ CuZn (brass), socket/ CuSn (bronze)
Contact plating	Au (Gold)
Material of contact body	PUR
Material of housing	PUR

Contacts 4/3: Connecting cord 1m, double plug M12 x 1 - 2 female angled connectors M8 x 1, cable 3 x 0.34 mm² PUR