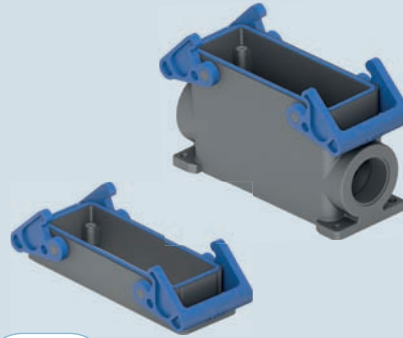


inserts:	page:
CD 64 poles + ⊕	59
CDD 108 poles + ⊕	72
CDS 42 poles + ⊕	81
CSH 24 poles + ⊕	94
CNE, CSE 24 poles + ⊕	107
CCE 24 poles + ⊕	113
CSS 24 poles + ⊕	125
CT, CTSE (16A) * .. 24 poles + ⊕	133
CQE 46 poles + ⊕	141
CQEE 64 poles + ⊕	147
CMCE 10+2 (aux) poles + ⊕	152
CME, CMSH 10+2 (aux) poles + ⊕	153
CMCE 16+2 (aux) poles + ⊕	158
CME 16+2 (aux) poles + ⊕	159
CX 4/8 and 6/6 poles + ⊕	173 and 175
MIXO 6 modules	179-215

*) only for standard insulating version THIC

insert centre distance: 104 x 27 mm

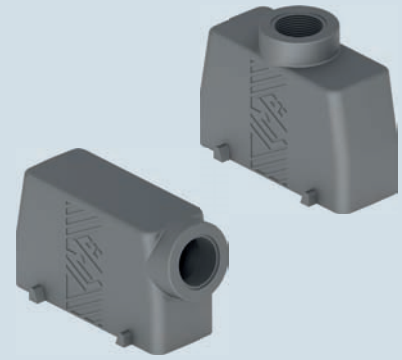
housings with double lever



SILICONE gasket

NEW

hoods with 4 pegs

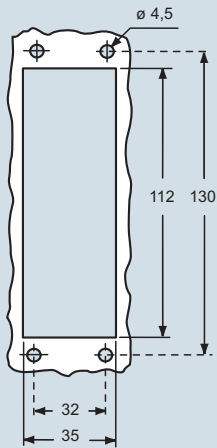


description	part No.	entry M
bulkhead mounting housing with thermoplastic levers	THIC 24	
surface mounting housing with thermoplastic levers	TAPC 24.32	32
surface mounting housing with thermoplastic levers	TAPC 24.40	40
with pegs, side entry		
with pegs, side entry		

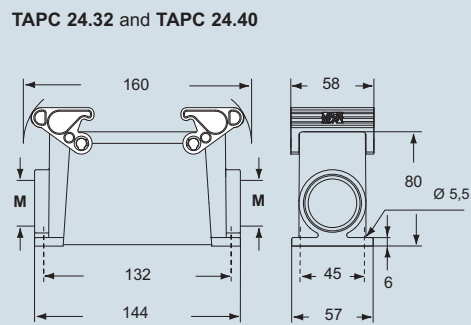
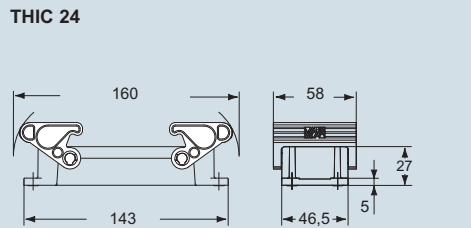
part No.	entry M

part No.	entry M
TMAO 24.32	32
TMAO 24.40	40
TMAV 24.32	32
TMAV 24.40	40

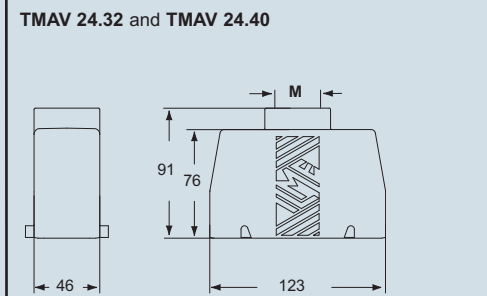
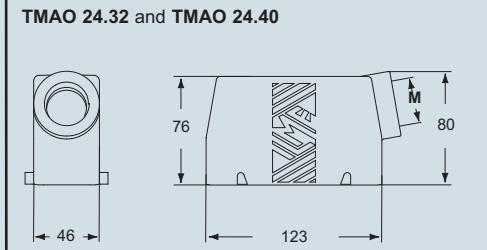
panel cut-out for bulkhead mounting housing in mm



dimensions in mm



dimensions in mm



The surface mounting, high construction housings are supplied with an open threaded entry and diametrically opposite a closed threaded entry which can be opened by the user if required (with suitable tool).



ambient temperature limits -50 °C / +70 °C

dimensions shown are not binding and may be changed without notice

T-TYPE / C - size 104.27



inserts:	page:
CD 64 poles + ⊕	59
CDD 108 poles + ⊕	72
CDS 42 poles + ⊕	81
CSH 24 poles + ⊕	94
CNE, CSE 24 poles + ⊕	107
CCE 24 poles + ⊕	113
CSS 24 poles + ⊕	125
CT, CTSE (16A) *) .. 24 poles + ⊕	133
CQE 46 poles + ⊕	141
CQEE 64 poles + ⊕	147
CMCE 10+2 (aux) poles + ⊕	152
CME, CMSH 10+2 (aux) poles + ⊕	153
CMCE 16+2 (aux) poles + ⊕	158
CME 16+2 (aux) poles + ⊕	159
CX 4/8 and 6/6 poles + ⊕	173 and 175
MIXO 6 modules	179-215

*) only for standard insulating version THIC

insert centre distance: **104 x 27 mm**

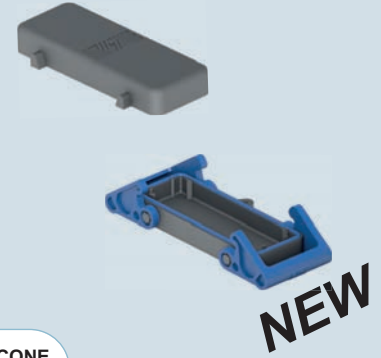
hoods with double lever top entry



SILICONE gasket

NEW

covers



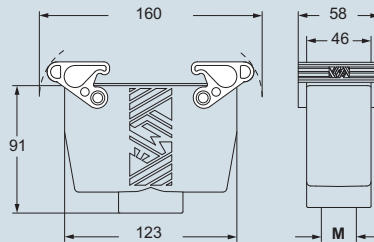
SILICONE gasket

NEW

description	part No.	entry M	part No.	
			(with eyelet)	(with loop)
with thermoplastic levers and gasket	TAVC 24 G32	32		
with thermoplastic levers and gasket	TAVC 24 G40	40		
with 4 pegs			TCHC 24	TCHC 24 S
with 2 thermoplastic levers and gasket				THCC 24 G

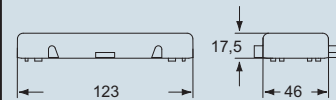
dimensions in mm

TAVC 24 G32 and TAVC 24 G40

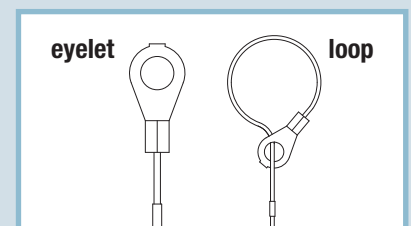
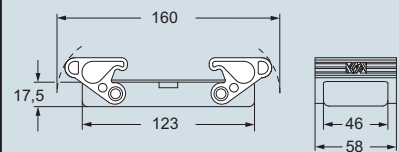


dimensions in mm

TCHC 24 (S)



THCC 24 G



ambient temperature limits -50 °C / +70 °C

dimensions shown are not binding and may be changed without notice

T-TYPE / C - size 104.27