

Product **Contacts: 7, Female panel mount connector, rectangular flange, with single wires**

Area **M16 IP67 Series 423/ 723/ 425**  
Article number **09 0128 320 07**

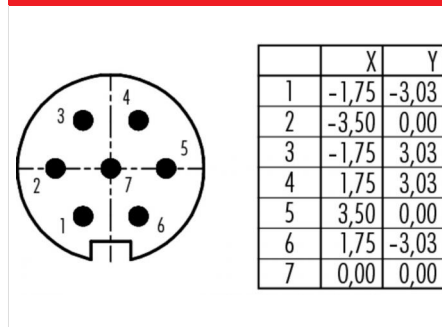
### Illustration



### Scale drawing



### Contact Arrangement



**You can find the assembly instruction on the next page.**

## Technical data

### General features

Connector Design	female panel mount connector
Connector locking system	bolted
Termination	Strands
Wire gauge (mm)	0,75 mm <sup>2</sup>
Wire gauge (AWG)	22
Upper temperature	85 °C
Lower temperature	-30 °C

### Electrical parameters

Rated voltage	100 V
Rated impulse voltage	1200 V
Pollution degree	1
Overvoltage category	I
Material group	II
Rated current (40°C)	5 A
Volume resistivity	≤ 5 mΩ
Degree of protection	IP67
Mechanical operation	> 500 Mating cycles

### Material

Material of contact	CuSn (Bronze)
Contact plating	Ag (silver)
Material of contact body	PBT (UL 94 V-0)

Product **Contacts: 7, Female panel mount connector, rectangular flange, with single wires**

Area **M16 IP67 Series 423/ 723/ 425**  
Article number **09 0128 320 07**

Installation instructions / Mounting cutout

