

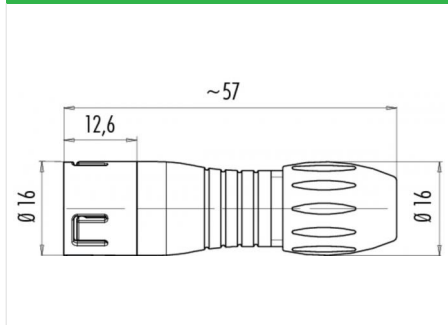
Product **Contacts: 8, cable plug connector, cable outlet 4 - 6 mm**

Area **Snap-in IP67, miniature Series**
 Article number **99 9125 400 08**

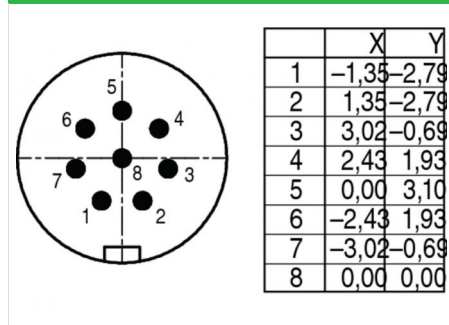
Illustration



Scale drawing



Contact Arrangement



You can find the item description on the next page.

Technical data

General features

Connector locking system: snap
 Termination: solder
 Wire gauge (mm): 0,25 mm²
 Wire gauge (AWG): 24
 Cable outlet: 4 - 6 mm
 Upper temperature: 85 °C
 Lower temperature: -40 °C

Electrical parameters

Rated voltage: 125 V
 Rated impulse voltage: 1500 V
 Pollution degree: 2
 Overvoltage category: II
 Material group: II
 Rated current (40°C): 2 A
 Volume resistivity: ≤ 3 mΩ
 EMV compliance: not shielded
 Degree of protection: IP67

Material

Material of contact: CuZn (Messing)
 Contact plating: Au (gold)
 Material of contact body: PA (UL 94 V-0)

Product **Contacts: 8, cable plug connector, cable outlet 2.5 - 4 mm**

Area **Snap-in IP67, miniature Series**
Article number **99 9125 400 08**

Item description

