

**Product sheet**  
**Miniature connector**

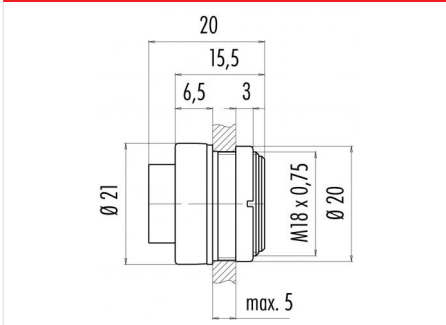


Product Pole	<b>Contacts: 14, male panel mount connector</b> 14	Area Article number	<b>Bayonet IP40 Series 678</b> 99 0655 00 14
--------------	---	---------------------	---

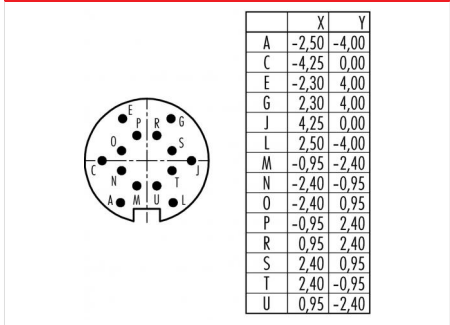
**Illustration**



**Scale drawing**



**Contact Arrangement**



You can find the assembly instruction on the next page.

**Technical data**

**Common values**

Connector Design	Male panel mount connector
Connector locking system	Bayonet
Termination	Solder
Wire gauge (mm)	0.25 mm <sup>2</sup>
Wire gauge (AWG)	24
Cable outlet	-
Upper temperature	85 °C
Lower temperature	-40 °C

**Electrical values**

Rated voltage	60 V
Rated impulse voltage	500 V
Pollution degree	1
Overvoltage category	I
Material group	III
Rated current (40°C)	3 A
Volume resistivity	≤ 3 mΩ
EMV compliance	not shielded
Degree of protection	IP40
Mechanical operation	> 500 mating cycles

**Material**

Material of contact	CuZn (Brass)
Contact plating	Au (Gold)
Material of contact body	PBT (UL 94 V-0)
Material of housing	PA (UL 94 V-0)

Contacts: 14, male panel mount connector

Product  
Pole

Contacts: 14, male panel mount connector  
14

Area  
Article number

Bayonet IP40 Series 678  
99 0655 00 14

Installation instructions / Mounting cutout

