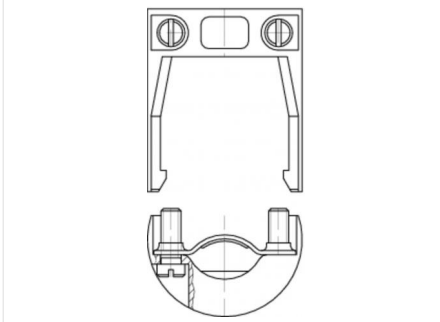


Product **692/693: Strain relief**
 Article number **08 0628 000 008**

Illustration



Scale drawing



Matching products

- Cable plug connector, PG 9
- Cable plug connector with cable strain relief, PG 9, VDE-, UL and ETS approval
- Cable plug connector with pinch ring, PG 11
- Cable plug connector with pinch ring, PG 11, VDE, UL and ETS approval
- Cable plug connector with pinch ring, PG 13.5
- Cable plug connector with pinch ring, PG 13.5, VDE, UL and ETS approval
- Cable plug connector with pinch ring, PG 16
- Cable plug connector with pinch ring, PG 16, VDE, UL and ETS approval
- Male angled connector, PG 9
- Male angled connector, PG 9, VDE, UL and ETS approval
- Male angled connector, PG 11
- Male angled connector, PG 11, VDE, UL and ETS approval
- Male angled connector, PG 13.5
- Male angled connector, PG 13.5, VDE, UL and ETS approval
- Female cable connector, PG 9
- Female cable connector with cable strain relief, PG 9, VDE-, UL and ETS approval
- Female cable connector with pinch ring, PG 11
- Female cable connector with pinch ring, PG 11, VDE, UL and ETS approval
- Female cable connector with pinch ring, PG 13.5
- Female cable connector with pinch ring, PG 13.5, VDE, UL and ETS approval
- Female cable connector with pinch ring, PG 16
- Female cable connector with pinch ring, PG 16, VDE, UL and ETS approval
- Female angled connector, PG 9
- Female angled connector, PG 9, VDE, UL and ETS approval
- Female angled connector, PG 11
- Female angled connector, PG 11, VDE, UL and ETS approval
- Female angled connector, PG 13.5
- Female angled connector, PG 13.5, VDE, UL and ETS approval