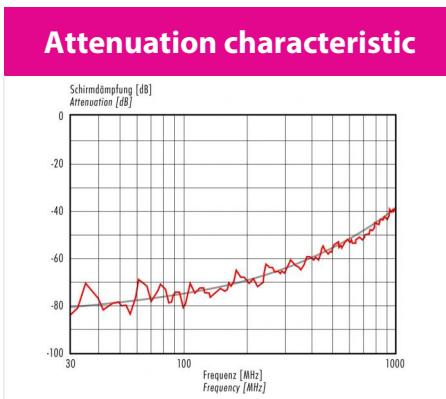
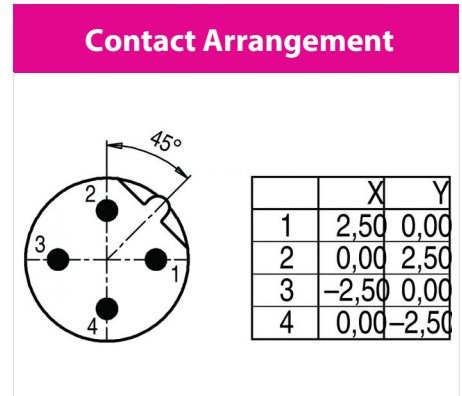
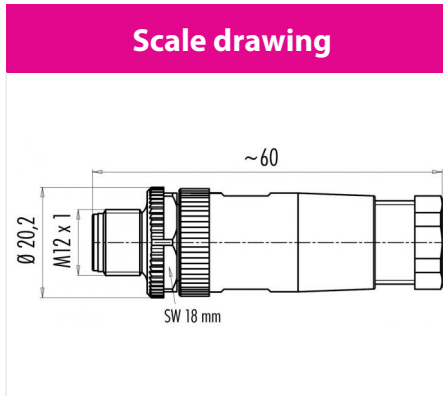


| | | | |
|---------|---|----------------|-------------------------|
| Product | Contacts: 4, Cable plug connector with metal lock, screw terminal connection, with UL approval | Area | M12-B Series 715 |
| Pole | 4 | Article number | 99 0429 105 04 |



You can find the item description and assembly instruction on the next page.

Technical data

Common values

| | |
|--------------------------|----------------------|
| Connector Design | Cable plug connector |
| Connector locking system | screw |
| Termination | Screwing |
| Wire gauge (mm) | 0.75 mm ² |
| Wire gauge (AWG) | 18 |
| Cable outlet | 6 - 8 mm |
| Upper temperature | 85 °C |
| Lower temperature | -40 °C |

Electrical values

| | |
|-----------------------|--------------------|
| Rated voltage | 250 V |
| Rated impulse voltage | 2500 V |
| Pollution degree | 3 |
| Overvoltage category | II |
| Material group | III |
| Rated current (40°C) | 4 A |
| Volume resistivity | ≤ 8 mΩ |
| EMV compliance | not shielded |
| Degree of protection | IP67 |
| Mechanical operation | > 50 mating cycles |

Cable data

| | |
|------------------------------|---|
| material housing | - |
| Insulation single lead | - |
| Single lead structure | - |
| Conductor resistance | - |
| Bending radius cable fixed | - |
| Bending radius cable movable | - |

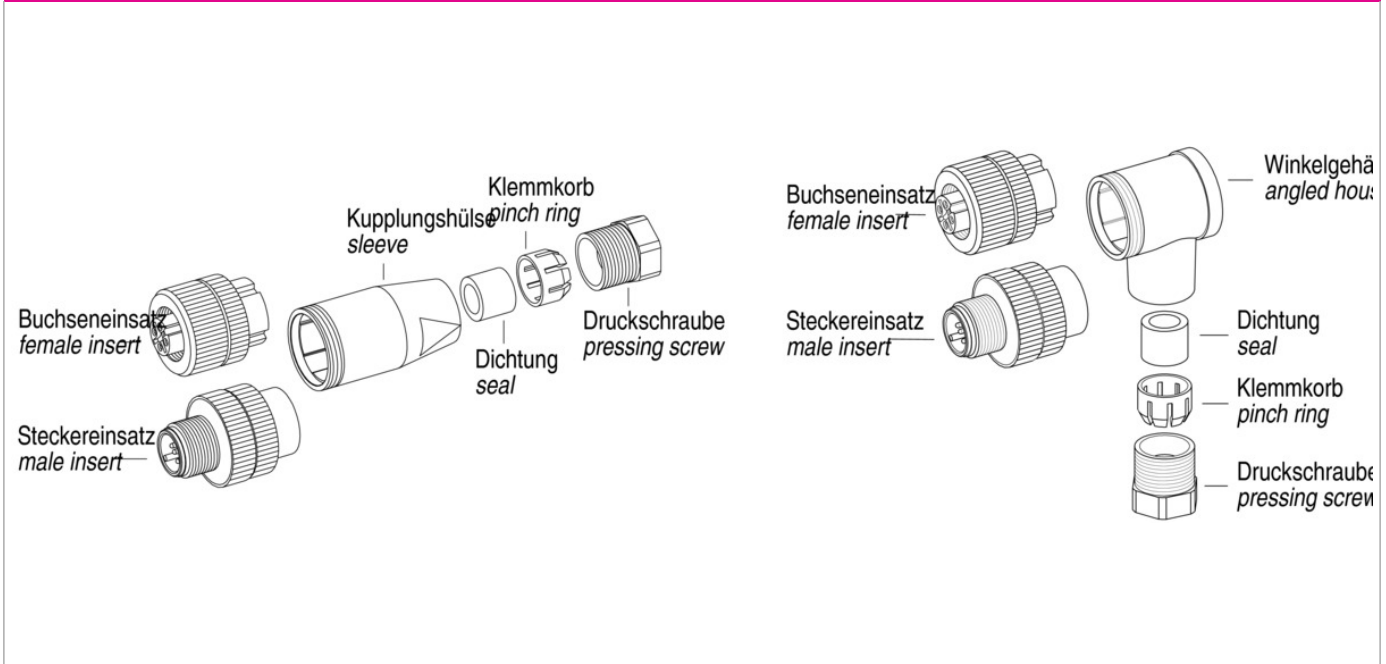
Material

| | |
|--------------------------|---|
| Material of contact | CuZn (Brass) |
| Contact plating | CuSnZn (Optaloy) |
| Material of contact body | PA |
| Material of housing | PA, nickel-plated zinc die casting/ PA |

cable outlet: 6 - 8 mm, Contacts: 4, Cable plug connector, metal lock, screw terminal closure, with UL approval

| | | | |
|---------|---|----------------|-------------------------|
| Product | Contacts: 4, Cable plug connector with metal lock, screw terminal connection, with UL approval | Area | M12-B Series 715 |
| Pole | 4 | Article number | 99 0429 105 04 |

Item description



Installation instructions / Mounting cutout

