



inserts:	page:
CD 128 poles + ⊕	61
CDD 216 poles + ⊕	74
CDS 84 poles + ⊕	83
CSH 48 poles + ⊕	96
CNE, CSE 48 poles + ⊕	109
CCE 48 poles + ⊕	115
CSS 48 poles + ⊕	127
CTSE (16A) *) 48 poles + ⊕	135
CQE 92 poles + ⊕	143
CMCE 20+4 (aux) poles + ⊕	156
CME 20+4 (aux) poles + ⊕	157
CMSH 20+4 (aux) poles + ⊕	157
CMCE 32+4 (aux) poles + ⊕	160
CME 32+4 (aux) poles + ⊕	161
MIXO 6 + 6 modules	179-215

*) can be used only in bulkhead mounting housings

insert centre distance: 2 x (104 x 27) mm

bulkhead and surface mounting enclosures with single lever



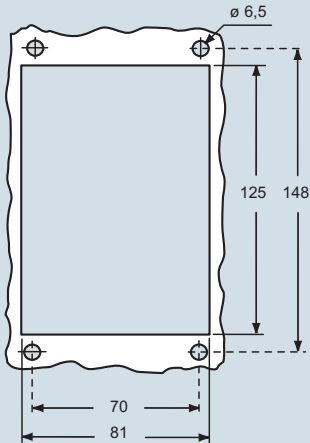
hoods with 2 pegs



description	part No.	entry Pg	part No.	entry M	part No.	entry Pg	part No.	entry M
bulkhead mounting enclosures with lever	CHI 48 L	—						
bulkhead mounting enclosures with lever and cover	CHI 48 LS	—						
surface mounting enclosures with lever and cover	CHP 48 LS29	29 x 2	MHP 48 LS40	40 x 2				
surface mounting enclosures with lever and cover	CHP 48 LS	36 x 2	MHP 48 LS50	50 x 2				
with pegs, side entry					CHO 48 L29	29	MHO 48 L32	32
with pegs, side entry					CHO 48 L	36	MHO 48 L40	40
with pegs, side entry					CHO 48 L42	42	MHO 48 L50	50
with pegs, side entry, without adaptor *					CFO 48 L29	29	MFO 48 L32	32
with pegs, side entry, without adaptor *					CFO 48 L	36	MFO 48 L40	40
with pegs, side entry, without adaptor *					CFO 48 L42	42	MFO 48 L50	50
with pegs, top entry					CHV 48 L29	29	MHV 48 L32	32
with pegs, top entry					CHV 48 L	36	MHV 48 L40	40
with pegs, top entry					CHV 48 L42	42	MHV 48 L50	50
with pegs, top entry, without adaptor *					CFV 48 L29	29	MFV 48 L32	32
with pegs, top entry, without adaptor *					CFV 48 L	36	MFV 48 L40	40
with pegs, top entry, without adaptor *					CFV 48 L42	42	MFV 48 L50	50

* enclosure without adaptor, threaded on the body, to be used only with a complete cable gland.

panel cut-out for bulkhead mounting housings in mm



NB:
The enclosures ensure IP66 protection (or IP65 for hinged cover versions) rating when mated and locked with the closing levers.

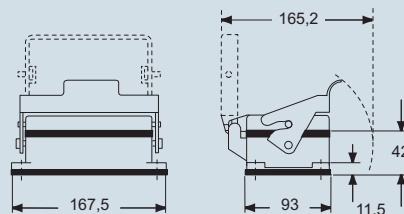
ILME Type 4/4X/12



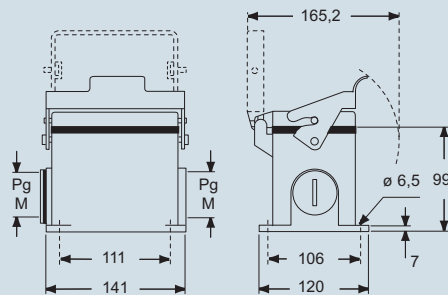
dimensions shown are not binding and may be changed without notice

dimensions in mm

CHI L - LS

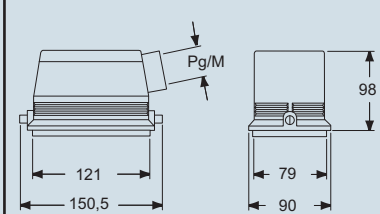


CHP LS and MHP LS



dimensions in mm

CHO/CFO L and MHO/MFO L



CHV/CFV L and MHV/MFV L

