

Product	Contacts: 4, Cable outlet: 6 - 8 mm, male angled connector, shieldable, CAT 5 screw terminal connection, with die-cast threaded ring, with UL approval	Area Article number	M12-D, M12-X Series 825 D-coding 99 3729 820 04
Pole	4		

Illustration	Scale drawing	Contact Arrangement															
		<table border="1" style="margin-left: auto; margin-right: auto;"> <thead> <tr> <th></th> <th>X</th> <th>Y</th> </tr> </thead> <tbody> <tr> <td>1</td> <td>2,50</td> <td>0,00</td> </tr> <tr> <td>2</td> <td>0,00</td> <td>2,50</td> </tr> <tr> <td>3</td> <td>-2,50</td> <td>0,00</td> </tr> <tr> <td>4</td> <td>0,00</td> <td>-2,50</td> </tr> </tbody> </table>		X	Y	1	2,50	0,00	2	0,00	2,50	3	-2,50	0,00	4	0,00	-2,50
	X	Y															
1	2,50	0,00															
2	0,00	2,50															
3	-2,50	0,00															
4	0,00	-2,50															

You can find the item description and assembly instruction on the next page.

Technical data

Common values

Connector Design	Male angled connector
Connector locking system	screw
Termination	Screwing
Wire gauge (mm)	0.75 mm ²
Wire gauge (AWG)	18
Cable outlet	6 - 8 mm
Upper temperature	85 °C
Lower temperature	-40 °C

Cable data

material housing	-
Insulation single lead	-
Single lead structure	-
Conductor resistance	-
Bending radius cable fixed	-
Bending radius cable movable	-

Electrical values

Rated voltage	250 V
Rated impulse voltage	2500 V
Pollution degree	3
Overvoltage category	II
Material group	III
Rated current (40°C)	4 A
Volume resistivity	≤ 3 mΩ
EMV compliance	shielded
Degree of protection	IP67
Mechanical operation	> 100 mating cycles

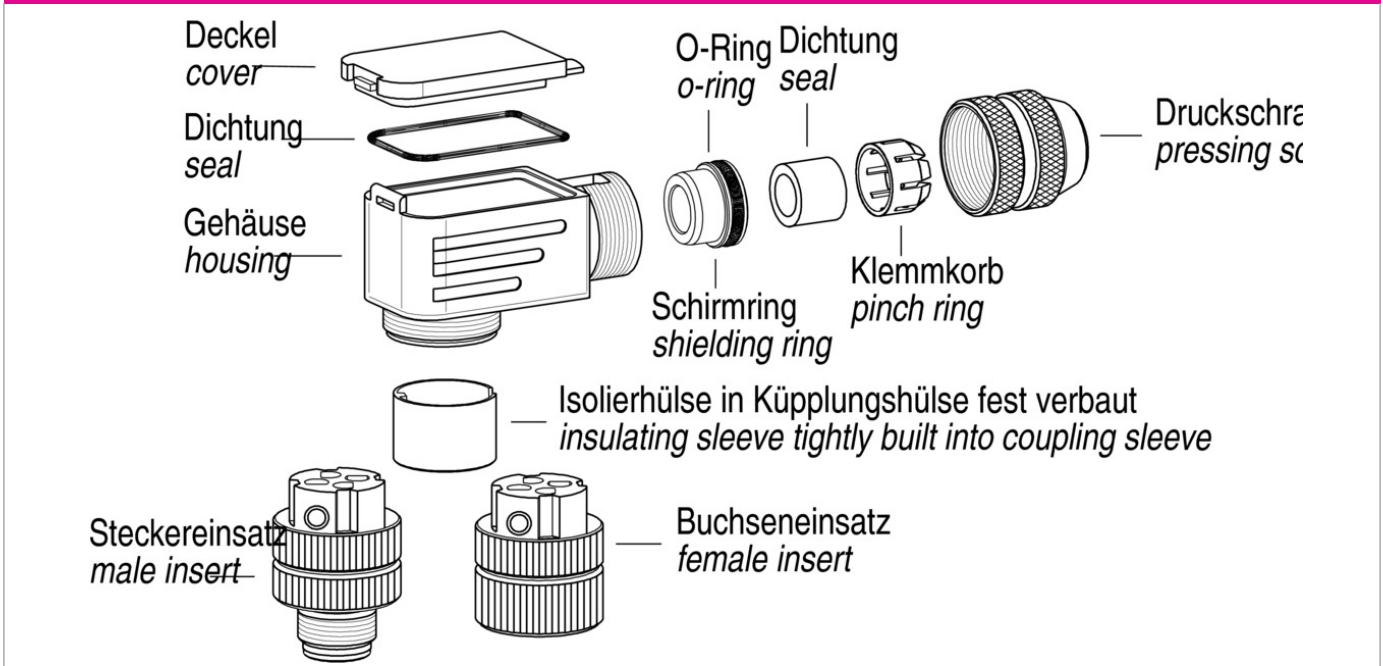
Material

Material of contact	CuZn (Brass)
Contact plating	Au (Gold)
Material of contact body	PA
Material of housing	Nickel-plated zinc die casting

cable outlet: 6 - 8 mm, Contacts: 4, Male angled connector, shieldable, CAT 5 screw terminal connection, static ring version, with UL approval

Product	Contacts: 4, Cable outlet: 6-8 mm, male angled connector, shieldable, CAT 5 screw terminal connection, with die-cast threaded ring, with UL approval	Area Article number	M12-D, M12-X Series 825 D-coding 99 3729 820 04
Pole	4		

Item description



Installation instructions / Mounting cutout

