

Product 718/768: Protection cap for female cable connector
Area M8

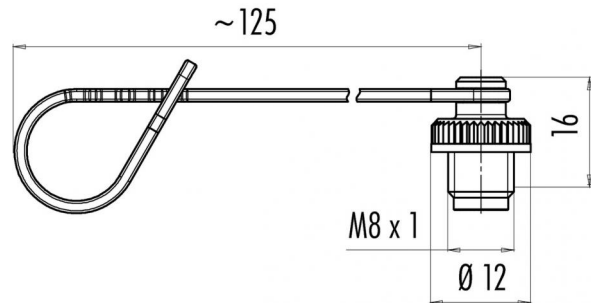
Article number 08 2841 000 000

Date: 2015-06-04 - Page 1 of 1

Illustration



Scale drawing



Matching products

- Female cable connector, solder
- Female cable connector, screw, with laser marked screw terminal contacts
- Female cable connector with Biatec quick termination
- Female cable connector, shieldable, solder
- Female cable connector, shieldable, screw terminal connection
- Kabeldose, schirmbar, Schraubklemmanschluss, Kabeldurchlass 6 - 8 mm²
- Female angled connector, solder
- Female angled connector, shieldable, solder
- Female cable connector, overmoulded, screw type, M8x1, with hexagonal die-cast threaded ring
- Female cable connector, overmoulded, screw type, M8x1, shielded
- Female angled connector, overmoulded, screw type, M8x1, with hexagonal die-cast threaded ring
- Female angled connector, overmoulded, screw type, M8x1, shielded
- Female angled connector, overmoulded, screw type, M8x1, LED