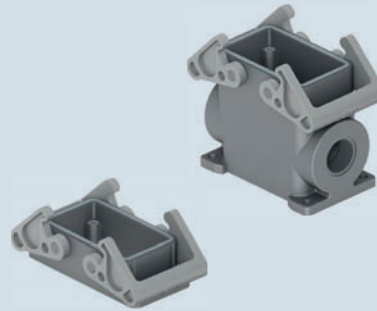


inserts:	page:
CDD 42 poles + ⊕	69
CDS 18 poles + ⊕	79
CSH 10 poles + ⊕	92
CNE, CSE 10 poles + ⊕	105
CCE 10 poles + ⊕	111
CSS 10 poles + ⊕	123
CT, CTSE (16A) *) .. 10 poles + ⊕	131
CQE 18 poles + ⊕	139
CMCE 3+2 (aux) poles + ⊕	148
CME 3+2 (aux) poles + ⊕	149
CMSH 3+2 (aux) poles + ⊕	149
CX 8/24 poles + ⊕	169
MIXO 3 modules	179 - 215

*) only for standard insulating version THIW

insert centre distance:
57 x 27 mm

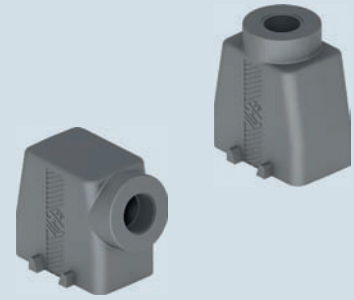
housings with double lever



VITON®
gasket

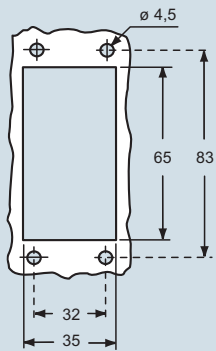
NEW

hoods with 4 pegs



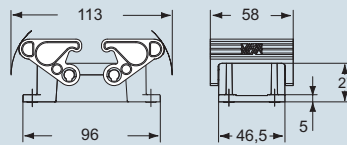
description	part No.	entry M	part No.	entry M
bulkhead mounting housing with thermoplastic levers	THIW 10			
surface mounting housing with thermoplastic levers	TAPW 10.25	25		
surface mounting housing with thermoplastic levers	TAPW 10.32	32		
with pegs, side entry			TMAO 10.25	25
with pegs, side entry			TMAO 10.32	32
with pegs, top entry			TMAV 10.25	25
with pegs, top entry			TMAV 10.32	32

panel cut-out for bulkhead mounting housing in mm

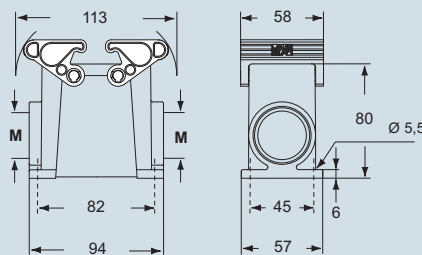


dimensions in mm

THIW 10

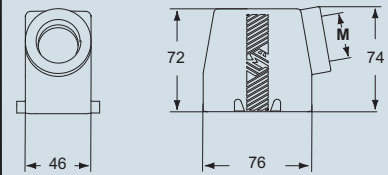


TAPW 10.25 and TAPW 10.32

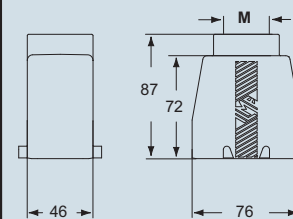


dimensions in mm

TMAO 10.25 and TMAO 10.32



TMAV 10.25 and TMAV 10.32



The surface mounting, high construction housings are supplied with an open threaded entry and diametrically opposite a closed threaded entry which can be opened by the user if required (with suitable tool).



ambient temperature limits -40 °C / +90 °C

dimensions shown are not binding
and may be changed without notice

inserts:	page:	
CDD 42 poles + ⊕	69	
CDS 18 poles + ⊕	79	
CSH 10 poles + ⊕	92	
CNE, CSE 10 poles + ⊕	105	
CCE 10 poles + ⊕	111	
CSS 10 poles + ⊕	123	
CT, CTSE (16A) * .. 10 poles + ⊕	131	
CQE 18 poles + ⊕	139	
CMCE 3+2 (aux) poles + ⊕	148	
CME 3+2 (aux) poles + ⊕	149	
CMSH 3+2 (aux) poles + ⊕	149	
CX 8/24 poles + ⊕	169	
MIXO 3 modules	179 - 215	

*) only for standard insulating version THIW

insert centre distance:
57 x 27 mm

hoods with double lever top entry



VITON®
gasket

NEW

covers

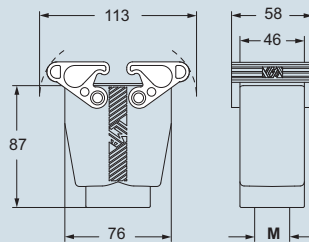


VITON®
gasket

description	hoods with double lever top entry		covers	
	part No.	entry M	part No. (with eyelet)	part No. (with loop)
with thermoplastic levers and gasket	TAVW 10 G25	25		
with thermoplastic levers and gasket	TAVW 10 G32	32		
with 4 pegs			TCHC 10	TCHC 10 S
with 2 thermoplastic levers and gasket				THCW 10 G

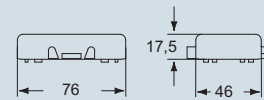
dimensions in mm

TAVW 10 G25 and TAVW 10 G32

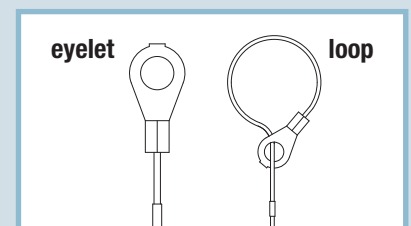
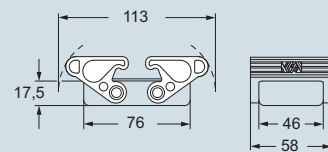


dimensions in mm

TCHC 10 (S)



THCW 10 G



ambient temperature limits -40 °C / +90 °C

dimensions shown are not binding and may be changed without notice