
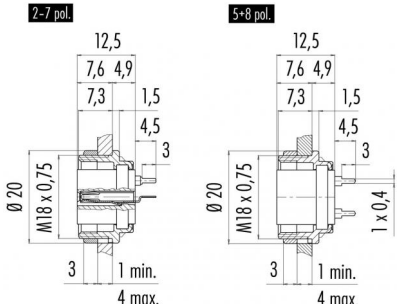
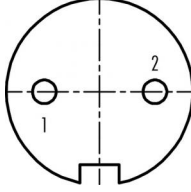


# Product sheet

## Miniature connector



Product	<b>Contacts: 2, Female panel mount connector, dip-solder, screwed from front, 2 - 8 contacts</b>	Area	<b>M16 IP40 Series 581/ 680/ 682</b>
Pole	<b>2</b>	Article number	<b>09 0304 99 02</b>

Illustration	Scale drawing	Contact Arrangement									
		 <table border="1" style="margin-left: 20px;"> <thead> <tr> <th></th> <th>X</th> <th>Y</th> </tr> </thead> <tbody> <tr> <td>1</td> <td>-3,50</td> <td>0,00</td> </tr> <tr> <td>2</td> <td>3,50</td> <td>0,00</td> </tr> </tbody> </table>		X	Y	1	-3,50	0,00	2	3,50	0,00
	X	Y									
1	-3,50	0,00									
2	3,50	0,00									

You can find the assembly instruction on the next page.

## Technical data

### Common values

Connector Design	Female panel mount connector
Connector locking system	screw
Termination	dip-solder
Wire gauge (mm)	-
Wire gauge (AWG)	-
Upper temperature	85 °C
Lower temperature	-40 °C

### Electrical values

Rated voltage	250 V
Rated impulse voltage	1500 V
Pollution degree	1
Overvoltage category	I
Material group	III
Rated current (40°C)	7 A
Volume resistivity	≤ 3 mΩ
EMV compliance	shielded
Degree of protection	IP40
Mechanical operation	> 500 mating cycles

### Material

Material of contact	CuSn (Bronze)
Contact plating	Au (Gold)
Material of contact body	PBT (UL 94 V-0)
Material of housing	Nickel-plated zinc die casting

Contacts: 2, Female panel mount connector, dip-solder, screwed from front, 2 - 8 contacts, gold plated contacts

**Product sheet**  
**Miniature connector**



Product

**Contacts: 2, Female panel mount  
connector, dip-solder, screwed from front,  
2 - 8 contacts**

Area  
Article number

**M16 IP40 Series 581/ 680/ 682  
09 0304 99 02**

Pole

2

**Installation instructions / Mounting cutout**

