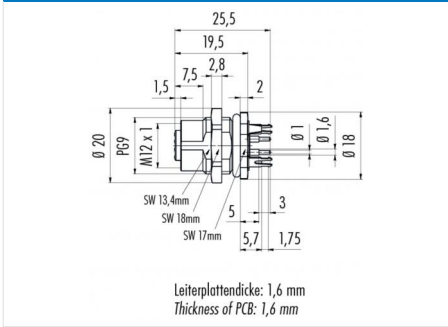


Product	Contacts: 5, Female panel mount connector, screwed from front, dip-solder with shielding sheet
Area	M12-A Series 713/763
Article number	86 0532 1120 00005

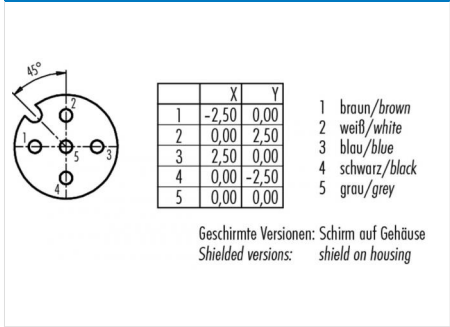
Illustration



Scale drawing



Contact Arrangement



You can find the assembly instruction on the next page.

Technical data

General features

Connector Design	female panel mount connector
Connector locking system	bolted
Termination	dip-solder
Wire gauge (mm)	-
Wire gauge (AWG)	-
Upper temperature	85 °C
Lower temperature	-40 °C

Cable data

Approval 1	UL
------------	----

Electrical parameters

Rated voltage	125 V
Rated impulse voltage	1500 V
Pollution degree	3
Overvoltage category	II
Material group	II
Rated current (40°C)	4 A
Volume resistivity	≤ 3 mΩ
EMV compliance	shieldable
Degree of protection	IP68
Mechanical operation	> 100 Mating cycles

Material

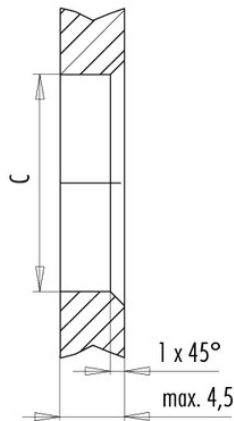
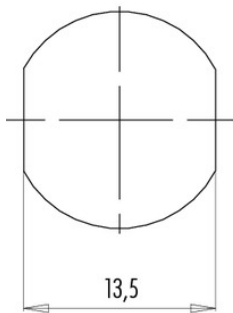
Material of contact	CuSn (Bronze)
Contact plating	Au (gold), shielding sheet
Material of contact body	PA

Product **Contacts: 5, Female panel mount connector, screwed from front, dip-solder with shielding sheet**
 Area **M12-A Series 713/763**
 Article number **86 0532 1120 00005**

Installation instructions / Mounting cutout

Mit Fläche als Verdrehschutz
With flats as anti-rotation device

Mit Durchgangsbohrung
With bore hole



	C
PG 9	15,3
M16x1,5	16,1

Anzugsdrehmoment/Tightening moment

Metallgehäuse/Metal housing 6,25 Nm
 Kunststoffgehäuse/Plastic housing 3,75 Nm

Installation instructions / Mounting cutout

