

# Product sheet

## Subminiature connector

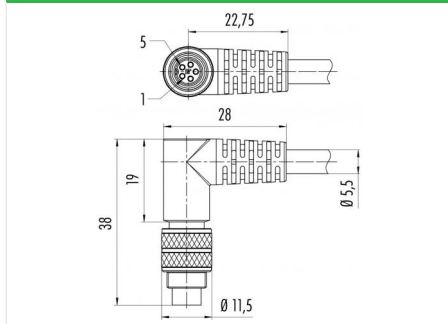


|         |   |                |                           |
|---------|---|----------------|---------------------------|
| Product | <b>Contacts: 7, Male angled connector overmoulded</b> | Area           | <b>M9 IP67 Series 702</b> |
| Pole    | <b>7</b>  | Article number | <b>79 1421 72 07</b>      |

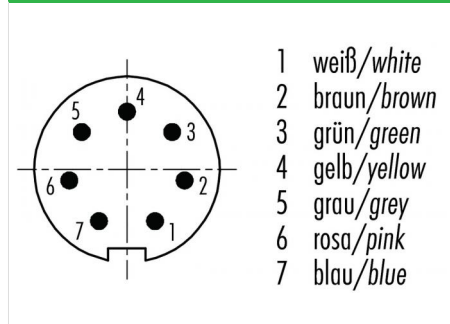
### Illustration



### Scale drawing



### Contact Arrangement



## Technical data

### Common values

|                          |                       |
|--------------------------|-----------------------|
| Connector Design         | Male angled connector |
| Connector locking system | screw                 |
| Termination              | overmoulded on cable  |
| Wire gauge (mm)          | 0.14 mm <sup>2</sup>  |
| Wire gauge (AWG)         | 26                    |
| Cable outlet             | -                     |
| Upper temperature        | 70 °C                 |
| Lower temperature        | -25 °C                |

### Electrical values

|                       |                     |
|-----------------------|---------------------|
| Rated voltage         | 125 V               |
| Rated impulse voltage | 1500 V              |
| Pollution degree      | 1                   |
| Overvoltage category  | II                  |
| Material group        | III                 |
| Rated current (40°C)  | 1 A                 |
| Volume resistivity    | ≤ 3 mΩ              |
| EMV compliance        | shielded            |
| Degree of protection  | IP67                |
| Mechanical operation  | > 500 mating cycles |

### Cable data

|                              |              |
|------------------------------|--------------|
| material housing             | PUR          |
| Insulation single lead       | PVC          |
| Single lead structure        | 18 x 0.10 mm |
| Cable sheath Ø               | 5.3          |
| Conductor resistance         | 75Ω/Km       |
| Bending radius cable fixed   | Min. 53 mm   |
| Bending radius cable movable | Min. 80 mm   |
| Cable diameter               | 5.3          |

### Material

|                          |                 |
|--------------------------|-----------------|
| Material of contact      | CuZn (Brass)    |
| Contact plating          | Au (Gold)       |
| Material of contact body | PBT (UL 94 V-0) |
| Material of housing      | PUR             |

Contacts: 7, Male angled connector overmoulded, shielded, cable length 2 m