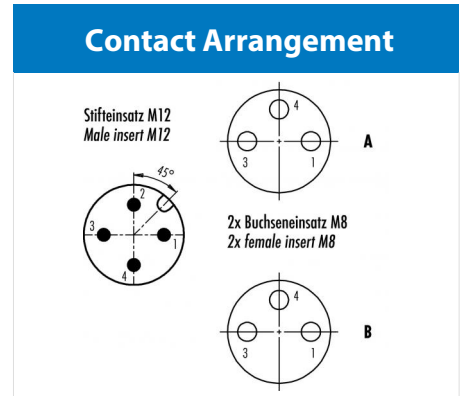
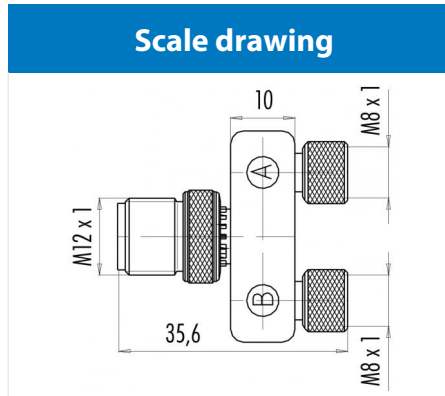


Product	Contacts 4/3: Double distributor, male connector M12x1 - 2 female connectors M8x1,	Area	Connecting cords Series 765
Pole	4/3	Article number	79 5204 00 04



Technical data

Common values

Connector Design	Dual distributor
Connector locking system	screw
Upper temperature	85 °C
Lower temperature	-25 °C

Electrical values

Rated voltage	60 V
Rated impulse voltage	1500 V
Pollution degree	3
Overvoltage category	II
Material group	II
Rated current (40°C)	4 A
Volume resistivity	≤ 3 mΩ
EMV compliance	nicht geschirmt
Degree of protection	IP68
Mechanical operation	> 100 mating cycles

Material

Material of contact	Pin/ CuZn (brass), socket/ CuSn (bronze)
Contact plating	Au (Gold)
Material of contact body	PUR
Material of housing	PUR

Contacts 4/3: Double distributor, male connector M12 x 1 - 2 female connectors M8 x 1