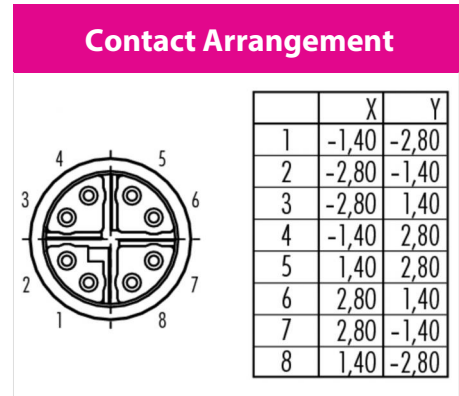
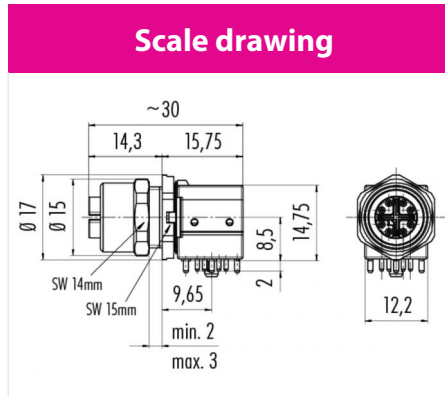
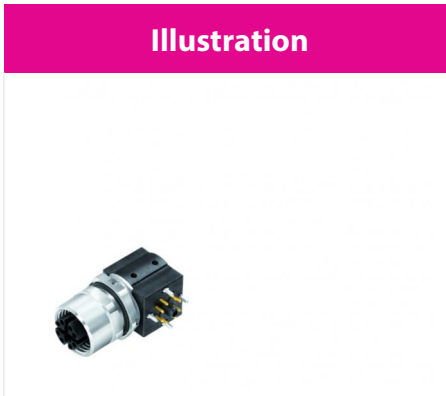


Product	Contacts 8: Female panel mount connector with X-coding, dip-solder, angled, contact carrier: via undular washer
Area	M12-D, M12-X Series 825/876 X-coding
Article number	99 3782 202 08



You can find the assembly instruction on the next page.

Technical data

General features

Connector Design	female connector (panel mount)
Connector locking system	bolted
Termination	dip-solder
Upper temperature	85 °C
Lower temperature	-40 °C

Cable data

Approval 1	UL
------------	----

Electrical parameters

Rated voltage	50V AC, 60V DC V
Pollution degree	3
Overvoltage category	II
Material group	III
Rated current (40°C)	0,5 A
Volume resistivity	≤ 10 mΩ
EMV compliance	shielded
Degree of protection	IP67
Mechanical operation	> 50 Mating cycles

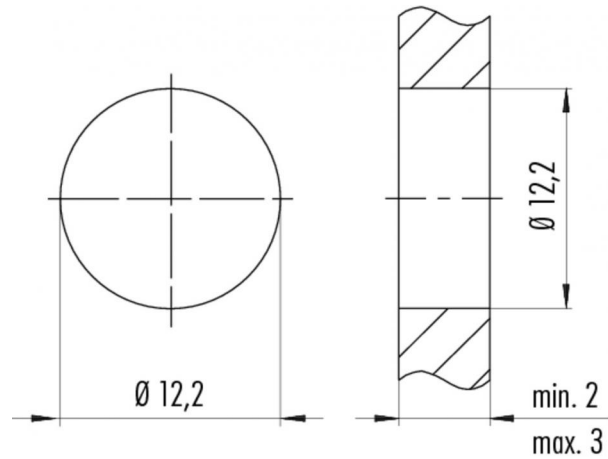
Material

Material of contact	CuSn (Bronze)
Contact plating	Au (gold)
Material of contact body	PA

Product **Contacts 8: Female panel mount connector with X-coding, dip-solder, angled, contact carrier: via undular washer**

Area **M12-D, M12-X Series 825/876 X-coding**
Article number **99 3782 202 08**

Installation instructions / Mounting cutout



Anzugsdrehmoment / Tightening moment
M12 x 1 6,25 Nm