

Product sheet

Miniature connector

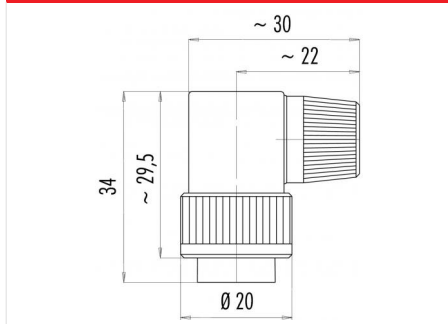


Product	Contacts: 12, Male angled connector, cable outlet 6 - 8 mm	Area	Bayonet IP40 Series 678
Pole	12	Article number	99 0649 72 12

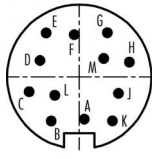
Illustration



Scale drawing



Contact Arrangement



	X	Y
A	0,41	-3,45
B	-2,29	-3,61
C	-4,10	-1,21
D	-3,20	1,34
E	-2,71	3,59
F	-0,41	3,45
G	2,29	3,61
H	4,10	1,21
J	3,20	-1,34
K	2,71	-3,59
L	-2,00	-1,51
M	2,00	1,51

You can find the item description on the next page.

Technical data

Common values

Connector Design	Male angled connector
Connector locking system	Bayonet
Termination	Solder
Wire gauge (mm)	0.25 mm ²
Wire gauge (AWG)	24
Cable outlet	6 - 8 mm
Upper temperature	85 °C
Lower temperature	-40 °C

Electrical values

Rated voltage	60 V
Rated impulse voltage	500 V
Pollution degree	1
Overvoltage category	I
Material group	III
Rated current (40°C)	3 A
Volume resistivity	≤ 3 mΩ
EMV compliance	not shielded
Degree of protection	IP40
Mechanical operation	> 500 mating cycles

Material

Material of contact	CuZn (Brass)
Contact plating	Au (Gold)
Material of contact body	PBT (UL 94 V-0)
Material of housing	PA (UL 94 V-0)

Contacts: 12, Male angled connector, cable outlet 6 - 8 mm

Product sheet
Miniature connector

Product

Contacts: 12, Male angled connector, cable outlet 6 - 8 mm
12

Area
Article number

Bayonet IP40 Series 678
99 0649 72 12

Pole

Item description

