

Product	<b>Contacts: 5, Female panel mount connector, lightgrey, solder termination</b>
Area	<b>Snap-in IP67, miniature Series</b>
Article number	<b>99 9116 400 05</b>

Illustration	Scale drawing	Contact Arrangement										
		<table style="margin-left: auto; margin-right: 0;"> <tr> <td>1</td> <td>weiß/white</td> </tr> <tr> <td>2</td> <td>braun/brown</td> </tr> <tr> <td>3</td> <td>grün/green</td> </tr> <tr> <td>4</td> <td>gelb/yellow</td> </tr> <tr> <td>5</td> <td>grau/grey</td> </tr> </table>	1	weiß/white	2	braun/brown	3	grün/green	4	gelb/yellow	5	grau/grey
1	weiß/white											
2	braun/brown											
3	grün/green											
4	gelb/yellow											
5	grau/grey											

**You can find the item description and assembly instruction on the next page.**

## Technical data

### General features

Connector Design	female panel mount connector
Connector locking system	snap
Termination	moulded on cable
Wire gauge (mm)	0,75 mm <sup>2</sup>
Wire gauge (AWG)	20
Upper temperature	70 °C
Lower temperature	-40 °C

### Electrical parameters

Rated voltage	125 V
Rated impulse voltage	1500 V
Pollution degree	2
Overvoltage category	II
Material group	II
Rated current (40°C)	5 A
Volume resistivity	≤ 3 mΩ
EMV compliance	not shielded
Degree of protection	IP67

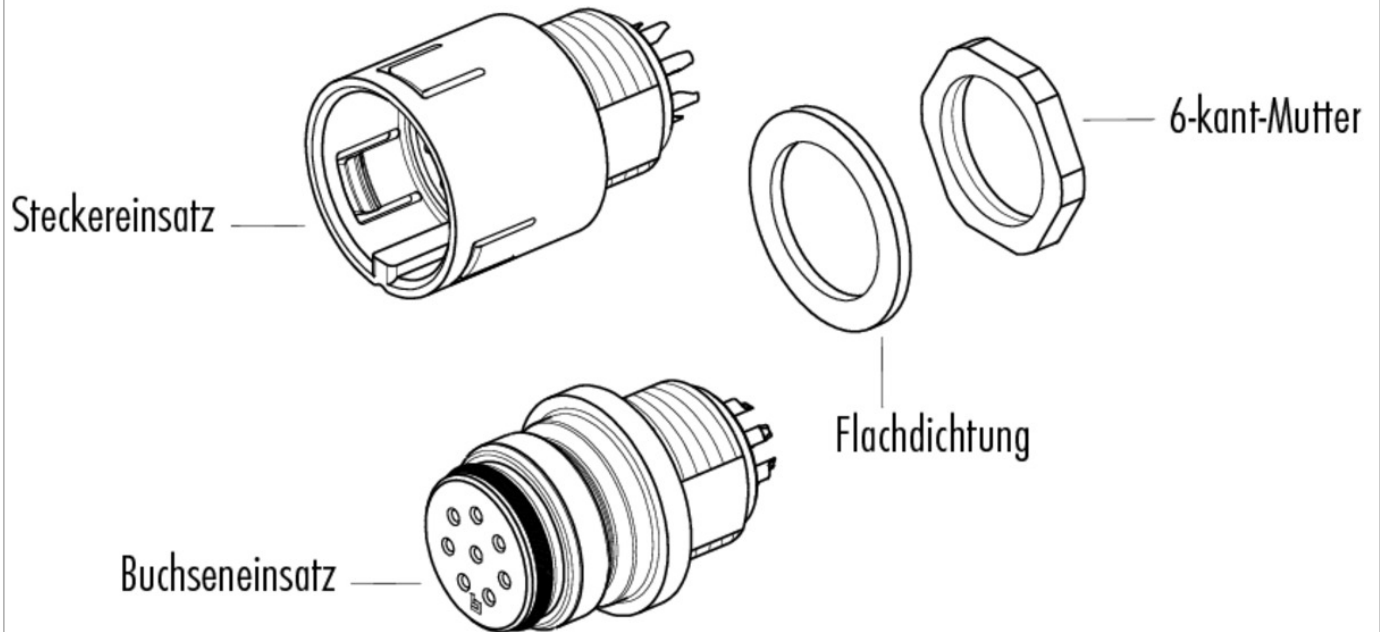
### Material

Material of contact	CuSn (Bronze)
Contact plating	Au (gold)
Material of contact body	PA (UL 94 V-0)

Product **Contacts: 5, Female panel mount connector, lightgrey, solder termination**

Area **Snap-in IP67, miniature Series**  
Article number **99 9116 400 05**

Item description



Installation instructions / Mounting cutout

