



inserts:	page:
CD 64 poles + ⊕	59
CT, CTS (10A) *	65
CDD 108 poles + ⊕	72
CDS 42 poles + ⊕	81
CSH 24 poles + ⊕	94
CNE, CSE 24 poles + ⊕	107
CCE 24 poles + ⊕	113
CSS 24 poles + ⊕	125
CT, CTSE (16A) *	133
CQE 46 poles + ⊕	141
CQEE 64 poles + ⊕	147
CMCE 10+2 (aux) poles + ⊕	152
CME, CMSH 10+2 (aux) poles + ⊕	153
CMCE 16+2 (aux) poles + ⊕	158
CME 16+2 (aux) poles + ⊕	159
CX 4/8 and 6/6 poles + ⊕	173 and 175
MIXO 6 modules	179-215

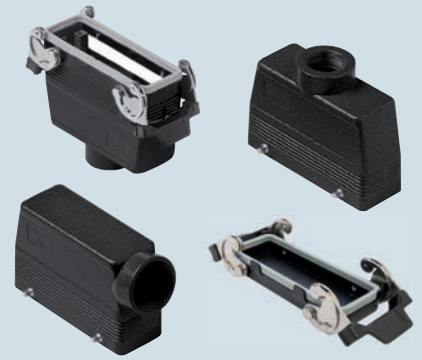
*) only for enclosure CHIW 24

insert centre distance: 104 x 27 mm

housings and cover

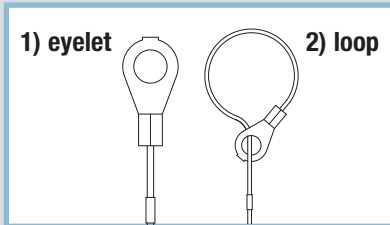
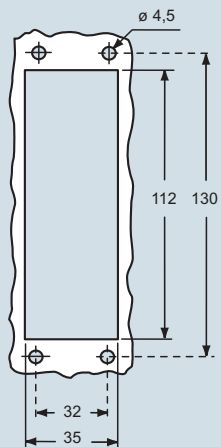


hoods and cover

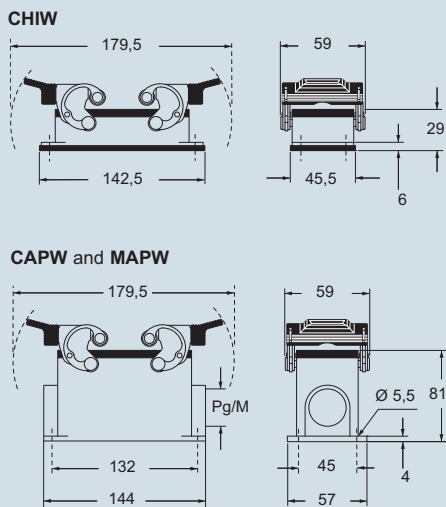


description	part No.	entry Pg	part No.	entry M	part No.	entry Pg	part No.	entry M
bulkhead mounting housing with levers	CHIW 24	—						
surface mounting housing, with levers, high construction	CAPW 24.21	21	MAPW 24.32	32				
cover with 4 pegs (for enclosures with 2 levers) 1)	CHCW 24							
enclosure with pegs, side entry,					CHOW 24	21	MHOW 24.25	25
enclosure with pegs, side entry, high construction					CAOW 24.29	29	MHOW 24.32	32
enclosure with pegs, side entry, high construction							MAOW 24.32	32
enclosure with pegs, top entry,					CHVW 24	21	MHVW 24.25	25
enclosure with pegs, top entry, high construction					CAVW 24.29	29	MHVW 24.32	32
enclosure with pegs, top entry, high construction							MAVW 24.32	32
cover with 2 levers (for enclosures with 4 pegs) 2)					CHCW 24 G			
enclosure with levers and gasket, top entry					CHVW 24 G	21	MHVW 24 G32	32

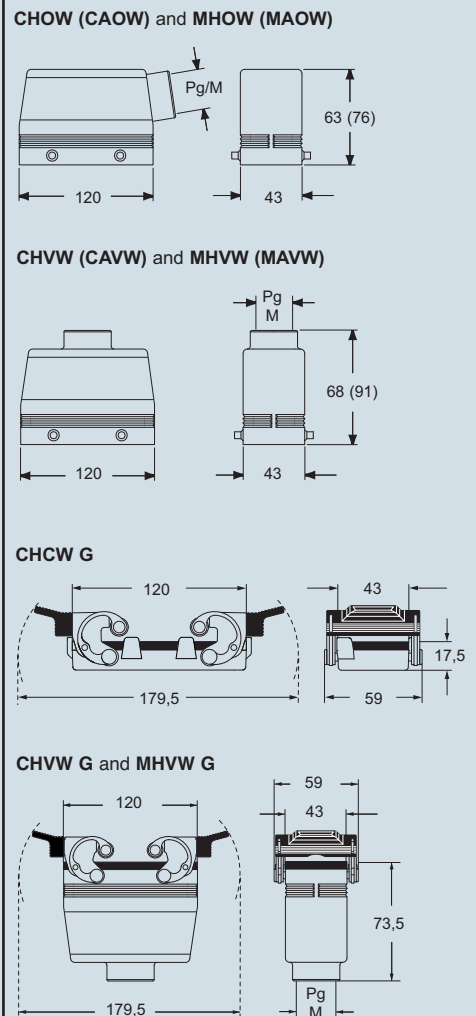
panel cut-out for bulkhead mounting housings in mm



dimensions in mm



dimensions in mm



CALUS Type 4/4X/12

EN 60528
IP66
IEC 60529

IP69K (compliant with DIN 40050-9)

dimensions shown are not binding and may be changed without notice

W-TYPE - size 104.27