

Product sheet

Miniature connector

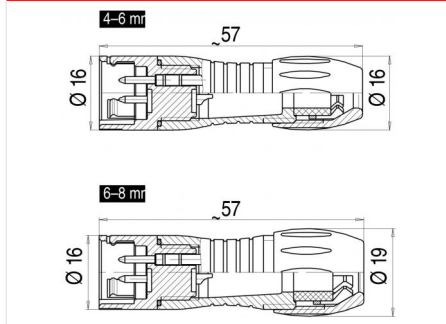


Product	Contacts: 3, cable plug connector, cable outlet 4 - 6 mm, green	Area	Snap-in IP67 Series 720
Pole	3	Article number	99 9105 70 03

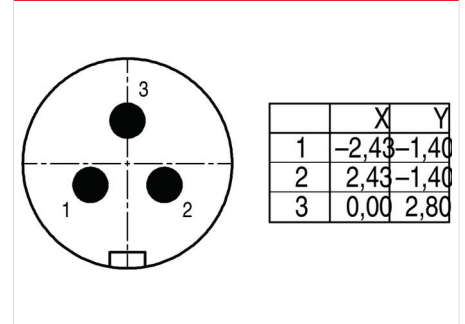
Illustration



Scale drawing



Contact Arrangement



You can find the item description on the next page.

Technical data

Common values

Connector Design	Cable plug connector
Connector locking system	Snap
Termination	Solder
Wire gauge (mm)	0.75 mm ²
Wire gauge (AWG)	20
Cable outlet	4 - 6 mm
Upper temperature	85 °C
Lower temperature	-40 °C

Electrical values

Rated voltage	250 V
Rated impulse voltage	2500 V
Pollution degree	2
Overvoltage category	II
Material group	II
Rated current (40°C)	7 A
Volume resistivity	≤ 3 mΩ
EMV compliance	not shielded
Degree of protection	IP67
Mechanical operation	> 500 mating cycles

Material

Material of contact	CuZn (Brass)
Contact plating	Au (Gold)
Material of contact body	PA (UL 94 V-0)
Material of housing	PA (UL 94 V-0)

Contacts: 3, cable plug connector, cable outlet 4 - 6 mm, green

Product	Contacts: 3, cable plug connector, cable outlet 4 - 6 mm, green	Area	Snap-in IP67 Series 720
Pole	3	Article number	99 9105 70 03

Item description

