

Product sheet

Subminiature connector

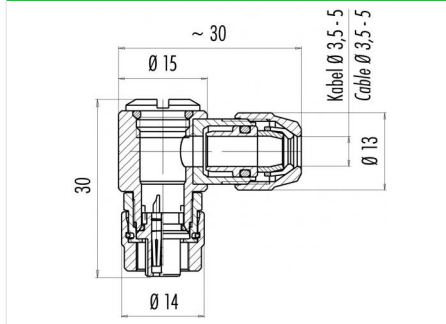


Product	Contacts: 3, Female angled connector, 360° EMC safe, cable outlet 3.5-5 mm	Area	M9 IP67 Series 712
Pole	3	Article number	99 0406 75 03

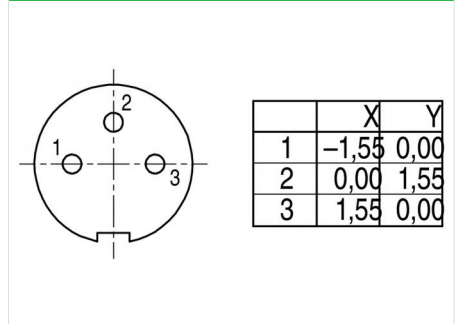
Illustration



Scale drawing



Contact Arrangement



You can find the item description on the next page.

Technical data

Common values

Connector Design	Female angled connector
Connector locking system	screw
Termination	Solder
Wire gauge (mm)	0.25 mm ²
Wire gauge (AWG)	24
Cable outlet	3.5 - 5 mm
Upper temperature	85 °C
Lower temperature	-40 °C

Cable data

material housing	-
Insulation single lead	-
Single lead structure	-
Conductor resistance	-

Electrical values

Rated voltage	125 V
Rated impulse voltage	1500 V
Pollution degree	1
Overvoltage category	II
Material group	III
Rated current (40°C)	4 A
Volume resistivity	≤ 3 mΩ
EMV compliance	shieldable
Degree of protection	IP67
Mechanical operation	> 500 mating cycles

Material

Material of contact	CuSn (Bronze)
Contact plating	Au (Gold)
Material of contact body	PA (UL 94 V-0)
Material of housing	CuZn (Brass nickel-plated)

Contacts: 3, Female angled connector, 360° EMC safe, shieldable, cable outlet 3.5-5 mm

Product

**Contacts: 3, Female angled connector,
360° EMC safe, cable outlet 3.5-5 mm
3**

Area

M9 IP67 Series 712

Pole

Article number

99 0406 75 03

Item description

