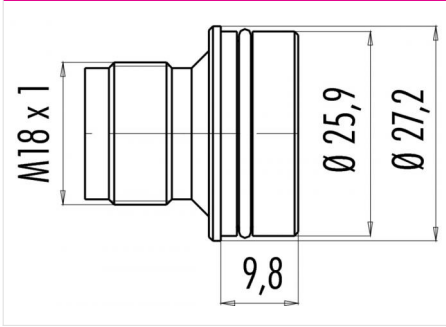


Product	Contacts: 4, Adaptor plug, solder, transparent	Area	M18 Series 714
Pole	4	Article number	09 0443 00 04

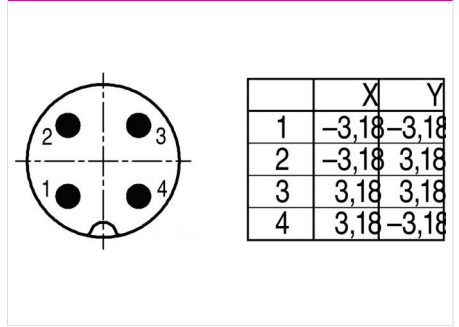
Illustration



Scale drawing



Contact Arrangement



You can find the assembly instruction on the next page.

Technical data

Common values

Connector Design	Adaptor plug
Connector locking system	screw
Termination	Solder
Wire gauge (mm)	1.50 mm ²
Wire gauge (AWG)	16
Upper temperature	85 °C
Lower temperature	-25 °C

Cable data

material housing	-
Insulation single lead	-
Single lead structure	-
Conductor resistance	-
Bending radius cable fixed	-
Bending radius cable movable	-

Electrical values

Rated voltage	250 V
Rated impulse voltage	4000 V
Pollution degree	3
Oversvoltage category	III
Material group	II
Rated current (40°C)	16 A/ CNR 5 A
Volume resistivity	≤ 8 mΩ
EMV compliance	-
Degree of protection	IP67
Mechanical operation	> 50 mating cycles

Material

Material of contact	CuZn (Brass)
Contact plating	CuSnZn (Optaloy)
Material of contact body	PA
Material of housing	PA

Contacts: 4, Adaptor plug, solder, transparent without socketing hole

Product

Contacts: 4, Adaptor plug, solder,
transparent
4

Area
Article number

M18 Series 714
09 0443 00 04

Pole

Installation instructions / Mounting cutout

