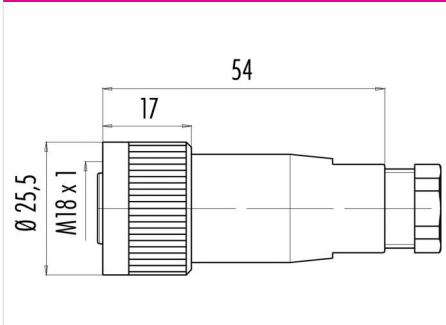


Product Pole	<b>Contacts: 4, female cable connector</b> 4	Area Article number	<b>M18 Series 714</b> 99 0440 016 04
--------------	---	---------------------	---

**Illustration**



**Scale drawing**



**Contact Arrangement**

	X	Y
1	3,18	-3,18
2	3,18	3,18
3	-3,18	3,18
4	-3,18	-3,18

You can find the item description and assembly instruction on the next page.

**Technical data**

**Common values**

Connector Design	Female cable connector
Connector locking system	screw
Termination	Screwing
Wire gauge (mm)	1.50 mm <sup>2</sup>
Wire gauge (AWG)	16
Upper temperature	85 °C
Lower temperature	-25 °C

**Cable data**

material housing	-
Insulation single lead	-
Single lead structure	-
Conductor resistance	-
Bending radius cable fixed	-
Bending radius cable movable	-

**Electrical values**

Rated voltage	250 V
Rated impulse voltage	4000 V
Pollution degree	3
Overvoltage category	III
Material group	III
Rated current (40°C)	cUR 5 A
Volume resistivity	≤ 8 mΩ
EMV compliance	-
Degree of protection	IP67
Mechanical operation	> 50 mating cycles

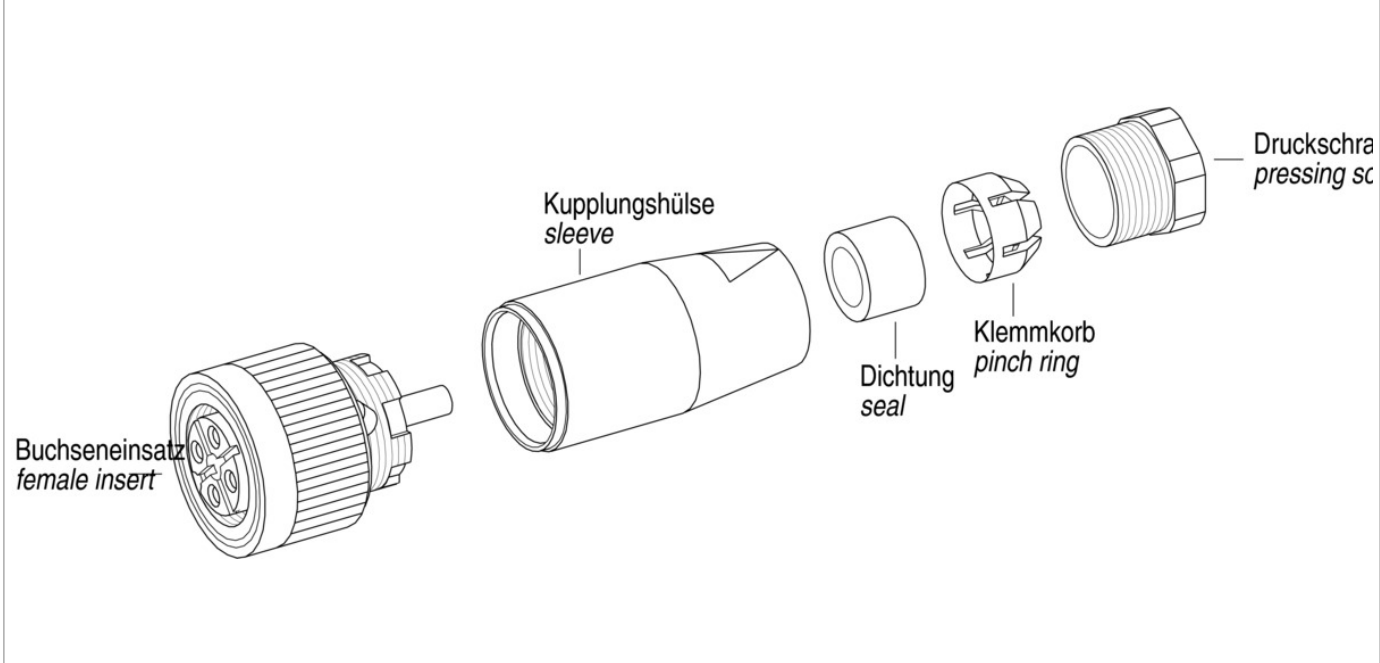
**Material**

Material of contact	CuZn (Brass)
Contact plating	CuSnZn (Optaloy)
Material of contact body	PA (UL 94 V-0), PBT (UL 94 V-0)
Material of housing	PA (UL 94 V-0), PBT (UL 94 V-0)

cable outlet: 10 – 12 mm, Contacts: 4, Female cable connector, UL approval

Product Pole	<b>Contacts: 4, female cable connector</b> 4	Area Article number	<b>M18 Series 714</b> 99 0440 016 04
--------------	---	---------------------	---

Item description



Installation instructions / Mounting cutout

