

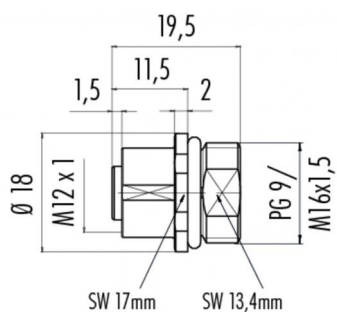
Product **Contacts: 4, Female panel mount connector, solder, screwed from front, PG 9, not mounted**

Area **M12-A Series 713/763**  
Article number **86 0532 1002 00004**

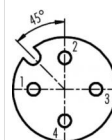
### Illustration



### Scale drawing



### Contact Arrangement



	X	Y
1	-2,50	0,00
2	0,00	2,50
3	2,50	0,00
4	0,00	-2,50

- 1 braun/brown
- 2 weiß/white
- 3 blau/blue
- 4 schwarz/black

Geschirmte Versionen: Schirm auf Gehäuse  
Shielded versions: shield on housing

You can find the assembly instruction on the next page.

## Technical data

### General features

Connector Design	female panel mount connector
Connector locking system	bolted
Termination	solder
Wire gauge (mm)	0,25 mm <sup>2</sup>
Wire gauge (AWG)	24
Upper temperature	85 °C
Lower temperature	-40 °C

### Electrical parameters

Rated voltage	250 V
Rated impulse voltage	2500 V
Pollution degree	3
Overvoltage category	II
Material group	II
Rated current (40°C)	4 A
Volume resistivity	≤ 3 mΩ
EMV compliance	not shielded
Degree of protection	IP68
Mechanical operation	> 100 Mating cycles

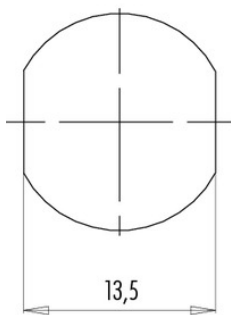
### Material

Material of contact	CuSn (Bronze)
Contact plating	Au (gold)
Material of contact body	PA

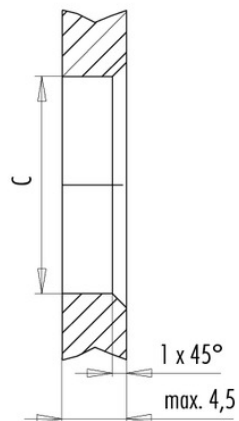
Product **Contacts: 4, Female panel mount connector, solder, screwed from front, PG 9, not mounted**  
Area **M12-A Series 713/763**  
Article number **86 0532 1002 00004**

### Installation instructions / Mounting cutout

Mit Fläche als Verdrehenschutz  
With flats as anti-rotation device



Mit Durchgangsbohrung  
With bore hole



	C
PG 9	15,3
M16x1,5	16,1

Anzugsdrehmoment/Tightening moment

Metallgehäuse/Metal housing 6,25 Nm  
Kunststoffgehäuse/Plastic housing 3,75 Nm