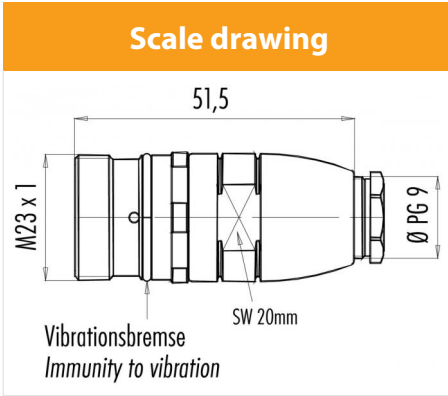


Product sheet

Output connector



Product	Contacts: 16, Coupling socket, right-turning (the pin and socket insert counter-rotate in right and left turning models)	Area	M23 Power Series 623
Pole	16	Article number	99 4618 00 16



Contact Arrangement

	X	Y
1	-1,70	5,50
2	-4,40	3,60
3	-5,70	0,70
4	-5,20	-2,50
5	-3,05	-4,80
6	0,00	-5,70
7	3,05	-4,80
8	5,20	-2,50
9	5,70	0,70
10	4,40	3,60
11	1,70	5,50
12	0,00	2,80
13	-2,55	1,10
14	-1,70	-2,00
15	1,70	-2,00
16	2,55	1,10

Technical data

Common values

Connector Design	Coupling socket
Connector locking system	screw
Termination	Solder
Wire gauge (mm)	1.00 mm ²
Wire gauge (AWG)	18
Cable outlet	6 - 10 mm
Upper temperature	125 °C
Lower temperature	-20 °C

Electrical values

Rated voltage	150 V
Rated impulse voltage	1500 V
Pollution degree	3
Overvoltage category	II
Material group	III
Rated current (40°C)	8 A
Volume resistivity	≤ 3 mΩ
EMV compliance	not shielded
Degree of protection	IP67
Mechanical operation	> 50 mating cycles

Material

Material of contact	CuSn (Bronze)
Contact plating	Au (Gold)
Material of contact body	PBT/PA66
Material of housing	CuZn (Brass nickel-plated)

Contacts: 16, Coupling socket, right-turning