

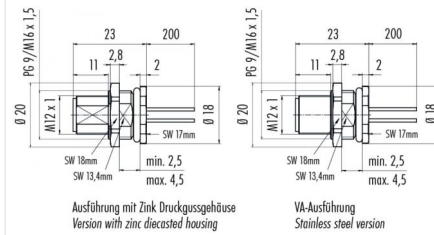
Product **Contacts: 12, Male panel mount connector with single wires, screwed from front, PG 9**

Area **M12-A Series 713/763**
Article number **76 0531 1111 00012-0200**

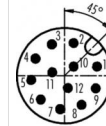
Illustration



Scale drawing



Contact Arrangement



	X	Y
1	2,80	0,78
2	0,78	2,80
3	-1,09	2,69
4	-2,51	1,46
5	-2,88	-0,37
6	-2,05	-2,05
7	-0,37	-2,88
8	1,46	-2,51
9	2,69	-1,09
10	0,78	0,78
11	-1,06	0,29
12	0,29	-1,06

- 1 braun/brown
- 2 blau/blue
- 3 weiß/white
- 4 grün/green
- 5 rosa/pink
- 6 gelb/yellow
- 7 schwarz/black
- 8 grau/grey
- 9 rot/red
- 10 violett/purple
- 11 grau/rosa/grey/pink
- 12 rot/blau/red/blue

Geschirmte Versionen: Schirm auf Gehäuse
Shielded versions: shield on housing

You can find the assembly instruction on the next page.

Technical data

General features

Connector Design	male panel mount connector
Connector locking system	bolted
Termination	Strands
Wire gauge (mm)	0,14 mm ²
Wire gauge (AWG)	26
Upper temperature	85 °C
Lower temperature	-40 °C

Cable data

Approval 1	UL
------------	----

Electrical parameters

Rated voltage	30 V
Rated impulse voltage	800 V
Pollution degree	3
Overvoltage category	II
Material group	II
Rated current (40°C)	2 A
Volume resistivity	≤ 3 mΩ
EMV compliance	not shielded
Degree of protection	IP68
Mechanical operation	> 100 Mating cycles

Material

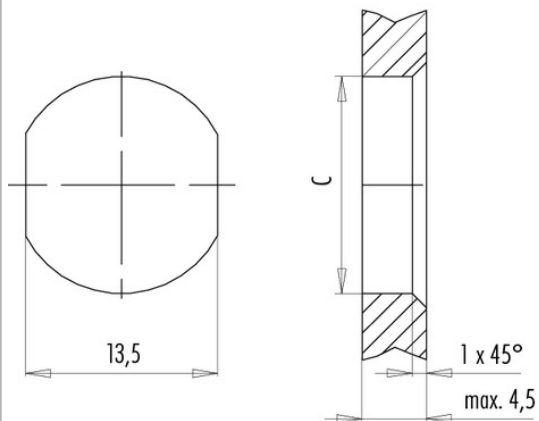
Material of contact	CuZn (Messing)
Contact plating	Au (gold)
Material of contact body	PA

Product **Contacts: 12, Male panel mount connector with single wires, screwed from front, PG 9**
 Area **M12-A Series 713/763**
 Article number **76 0531 1111 00012-0200**

Installation instructions / Mounting cutout

Mit Fläche als Verdrehschutz
With flats as anti-rotation device

Mit Durchgangsbohrung
With bore hole



	C
PG 9	15,3
M16x1,5	16,1

Anzugsdrehmoment/Tightening moment

Metallgehäuse/Metal housing 6,25 Nm
 Kunststoffgehäuse/Plastic housing 3,75 Nm