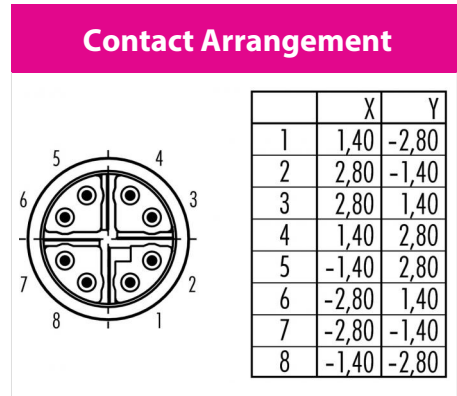
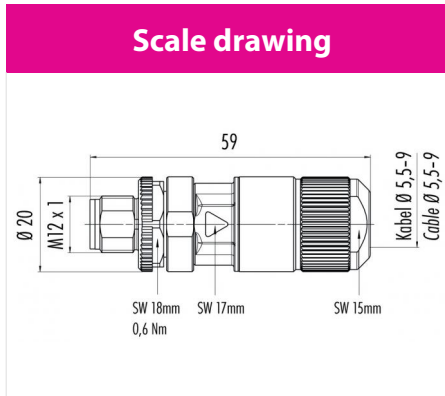


Product	<b>Contacts: 8, Cable plug connector with X-coding, shieldable, CAT 6A, insulation displacement connection</b>	Area	<b>M12-D, M12-X Series 825 X-coding</b>
Pole	<b>8</b>	Article number	<b>99 3787 810 08</b>



You can find the item description and assembly instruction on the next page.

## Technical data

### Common values

Connector Design	Cable plug connector
Connector locking system	screw
Termination	Screw terminal
Wire gauge (AWG)	27 - 22
Cable outlet	5.5 - 9 mm
Upper temperature	85 °C
Lower temperature	-40 °C

### Cable data

material housing	-
Insulation single lead	-
Single lead structure	-
Conductor resistance	-
Bending radius cable fixed	-
Bending radius cable movable	-

### Electrical values

Rated voltage	a:2;{i:0;s:2:"50";i:1;s:2:"60"} V
Rated impulse voltage	800 V
Pollution degree	3
Overvoltage category	II
Material group	II
Rated current (40°C)	0.5 A
Volume resistivity	≤ 10 mΩ
Degree of protection	IP67
Mechanical operation	> 100 mating cycles

### Material

Material of contact	CuZn (Brass)
Contact plating	Au (Gold)
Material of contact body	PA
Material of housing	Nickel-plated brass / nickel-plated zinc die casting

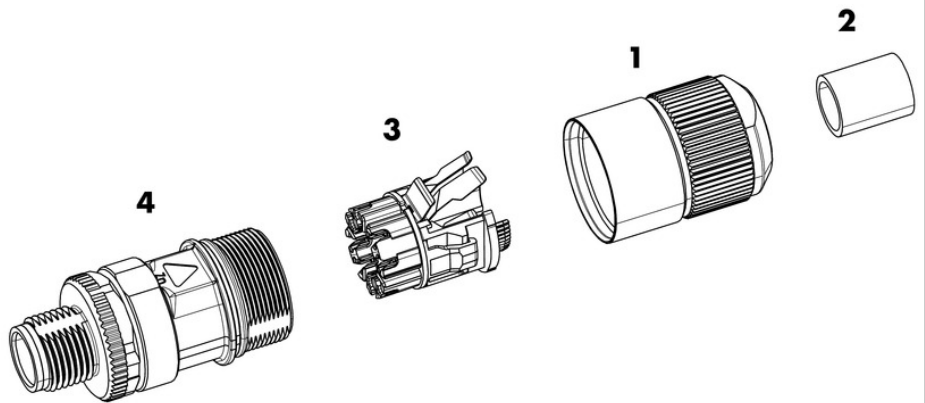
cable outlet: 5.5 - 9 mm, Contacts: 8, Cable plug connector with X-coding, shieldable, CAT 6A, insulation displacement connection

Product	<b>Contacts: 8, Cable plug connector with X-coding, shieldable, CAT 6A, insulation displacement connection</b>	Area	<b>M12-D, M12-X Series 825 X-coding</b>
Pole	<b>8</b>	Article number	<b>99 3787 810 08</b>

Item description

1. Vormontierte Druckschraube.
2. Zusatzdichtung für Kabel-Ø 5,5-7,5 mm.
3. Adervorsortierung.
4. Steckereinsatz.

1. Premounted pressing screw.
2. Additional sealing for cable-Ø 5.5-7.5 mm.
3. Wire manager.
4. Male insert.



Installation instructions / Mounting cutout

