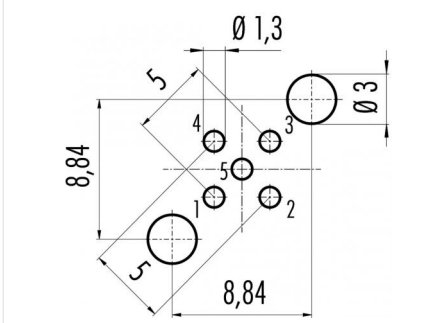


Product	Contacts: 5, Male panel mount connector for PCB mounting, screwed from front, with shielding sheet, dip-solder	Area	M12-B Series 715/766
Pole	5	Article number	09 4441 500 05

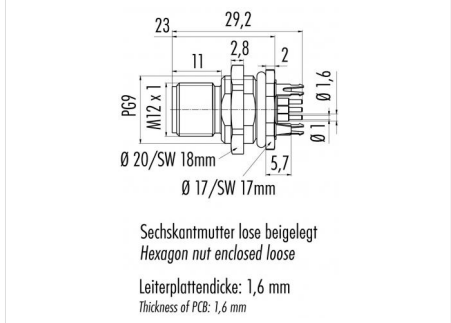
Illustration



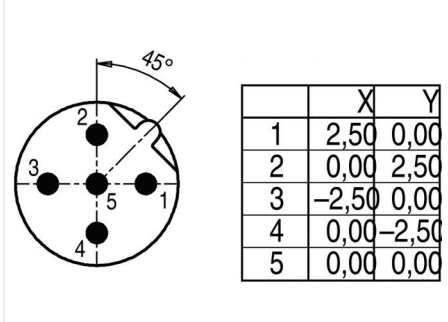
Conductor layout



Scale drawing



Contact Arrangement



You can find the assembly instruction on the next page.

Technical data

Common values

Connector Design	Male panel mount connector
Connector locking system	screw
Termination	tauchlöten
Wire gauge (mm)	-
Wire gauge (AWG)	-
Upper temperature	85 °C
Lower temperature	-40 °C

Cable data

material housing	-
Insulation single lead	-
Single lead structure	-
Conductor resistance	-
Bending radius cable fixed	-
Bending radius cable movable	-

Electrical values

Rated voltage	125 V
Rated impulse voltage	1500 V
Pollution degree	3
Overvoltage category	II
Material group	II
Rated current (40°C)	4 A
Volume resistivity	≤ 8 mΩ
EMV compliance	shielded
Degree of protection	IP68
Mechanical operation	> 100 mating cycles

Material

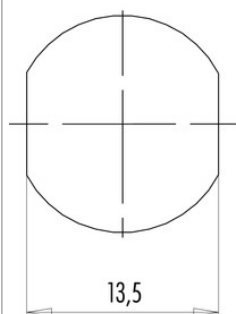
Material of contact	CuSn (Bronze)
Contact plating	Sn (Tin)
Material of contact body	PA
Material of housing	CuZn (Brass nickel-plated)

Contacts: 5, Male panel mount connector for PCB mounting, screwed from front, with shielding sheet, dip-solder

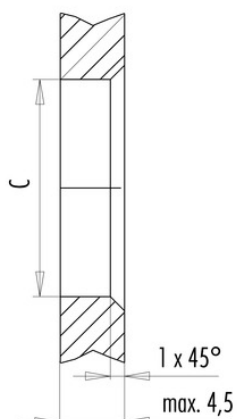
Product	Contacts: 5, Male panel mount connector for PCB mounting, screwed from front, with shielding sheet, dip-solder	Area	M12-B Series 715/766
Pole	5	Article number	09 4441 500 05

Installation instructions / Mounting cutout

Mit Fläche als Verdreherschutz
With flats as anti-rotation device



Mit Durchgangsbohrung
With bore hole



	C
PG 9	15,3
M16x1,5	16,1

Anzugsdrehmoment/Tightening moment

Metallgehäuse/Metal housing 6,25 Nm
Kunststoffgehäuse/Plastic housing 3,75 Nm