

Product 713/763, 715/766, 825/876: ring nut for fixing thread M16 x 1.5, diameter 18 mm  
Area M12-D, M12-X

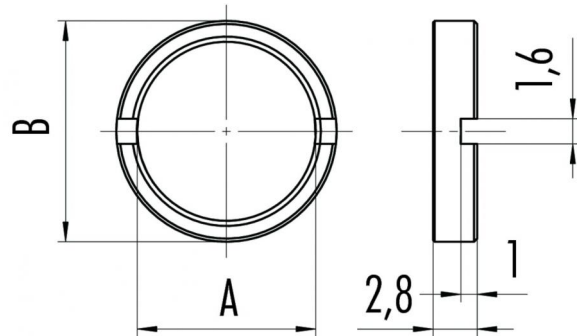
Article number 01 5244 001

Date: 2015-06-04 - Page 1 of 1

#### Illustration



#### Scale drawing



#### Matching products

- Male panel mount connector M16, with PROFINET cable, shielded
- Female panel mount connector with single wires 0.25 mm<sup>2</sup>
- Female panel mount connector M16, with PROFINET cable, shielded