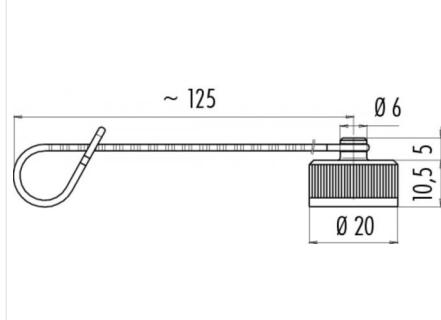


Product **423/723/425: Protection cap for cable plug connector, IP67**
 Article number **08 1077 000 000**

Illustration



Scale drawing



Matching products

- Cable plug connector with shielding ring, shieldable, PG 7, cable outlet 4-6 mm, with UL approval
- Cable plug connector with shielding ring, shieldable, PG 9, cable outlet 6-8 mm, with UL approval
- Cable plug connector with shielding ring, shieldable, PG 11, cable outlet 8 - 10 mm, with UL approval
- Cable plug connector with cable clamp, shieldable, PG 7, cable outlet 4-6 mm, with UL approval
- Cable plug connector with cable clamp, shieldable, PG 9, cable outlet 6-8 mm, with UL approval
- Cable plug connector with cable clamp, screw terminal connection, shieldable, PG 7, cable outlet 4-6 mm
- Cable plug connector with cable clamp, screw terminal connection, shieldable, PG 9, cable outlet 6-8 mm
- Cable plug connector with cable clamp, CRIMP connection, shieldable, PG 7, cable outlet 4 - 6 mm
- Cable plug connector with cable clamp, CRIMP connection, shieldable, PG 9, cable outlet 6 - 8 mm
- Cable plug connector, short version, not shieldable, cable outlet 4-8 mm, with UL approval
- Cable plug connector, short version, CRIMP connection, cable outlet 4-8 mm
- Male angled connector, shieldable, PG 7, cable outlet 4-6 mm, with UL approval
- Male angled connector, shieldable, PG 9, cable outlet 6-8 mm, with UL approval
- Male angled connector, CRIMP connection, shieldable, PG 7, cable outlet 4-6 mm, with UL approval
- Male angled connector, CRIMP connection, shieldable, PG 9, cable outlet 6-8 mm, with UL approval
- Cable plug connector, cable outlet 4-6 mm
- Cable plug connector, cable outlet 6-8 mm
- Male angled connector, cable outlet 4-6 mm
- Male angled connector, cable outlet 6-8 mm
- Cable plug connector
- Cable plug connector, shielded
- Male angled connector
- Male angled connector, shielded