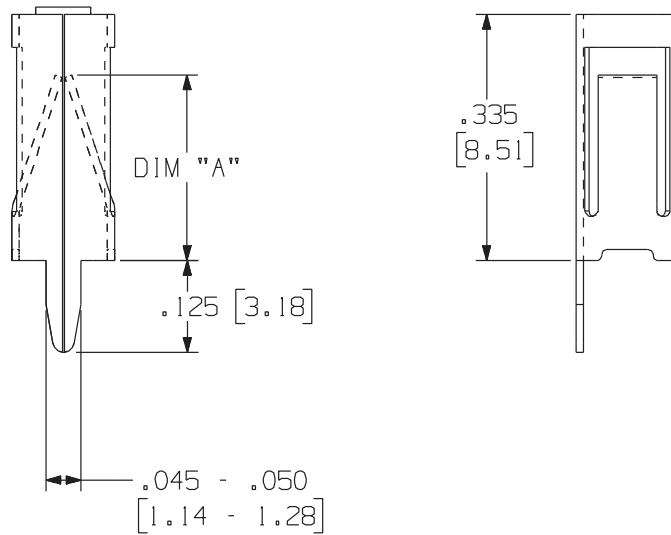
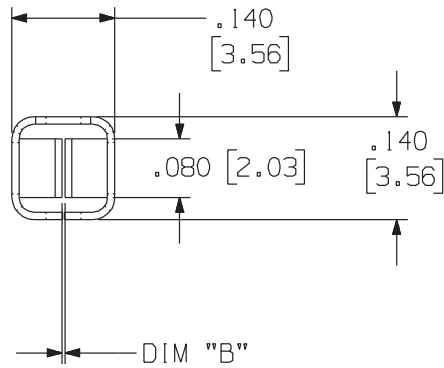


1193-6193-1200-6200

Rev.

APPLICATION DRAWING



PART NUMBER	DIM "A"	DIM "B"	MATERIAL	FINISH
6193 [REELED PART NUMBER]	.200 [5.08mm]	.000-.015 [0.38mm]	.010 [0.25mm] PHOSPHOR BRONZE	100% MATTE TIN OVER COPPER
1193	.200 [5.08mm]	.000-.015 [0.38mm]	.010 [0.25mm] PHOSPHOR BRONZE	100% MATTE TIN OVER COPPER
6200 [REELED PART NUMBER]	.245-.265 [6.22mm-6.73mm]	.000-.005 [0.13mm]	.010 [0.25mm] PHOSPHOR BRONZE	100% MATTE TIN OVER COPPER
1200	.245-.265 [6.22mm-6.73mm]	.000-.005 [0.13mm]	.010 [0.25mm] PHOSPHOR BRONZE	100% MATTE TIN OVER COPPER

RoHS COMPLIANT

Zierick Product Related Recommendations are general guidelines only. Since each customer's design, process and application is different it is necessary that customers thoroughly test our products in specific applications.



Radio Circle Drive
Mount Kisco, New York 10549

BOTTOM ENTRY RECEPTACLE

THIS DOCUMENT AND THE CONFIDENTIAL INFORMATION CONTAINED HERE ARE THE PROPERTY OF ZIERICK MANUFACTURING CORPORATION AND MAY NOT BE USED IN WHOLE OR IN PART IN ANY WAY, OR COMMUNICATED TO ANY PARTY OTHER THAN THE RECIPIENT WITHOUT THE EXPRESS PRIOR WRITTEN CONSENT OF ZIERICK MANUFACTURING CORPORATION.

1193-6193-1200-6200